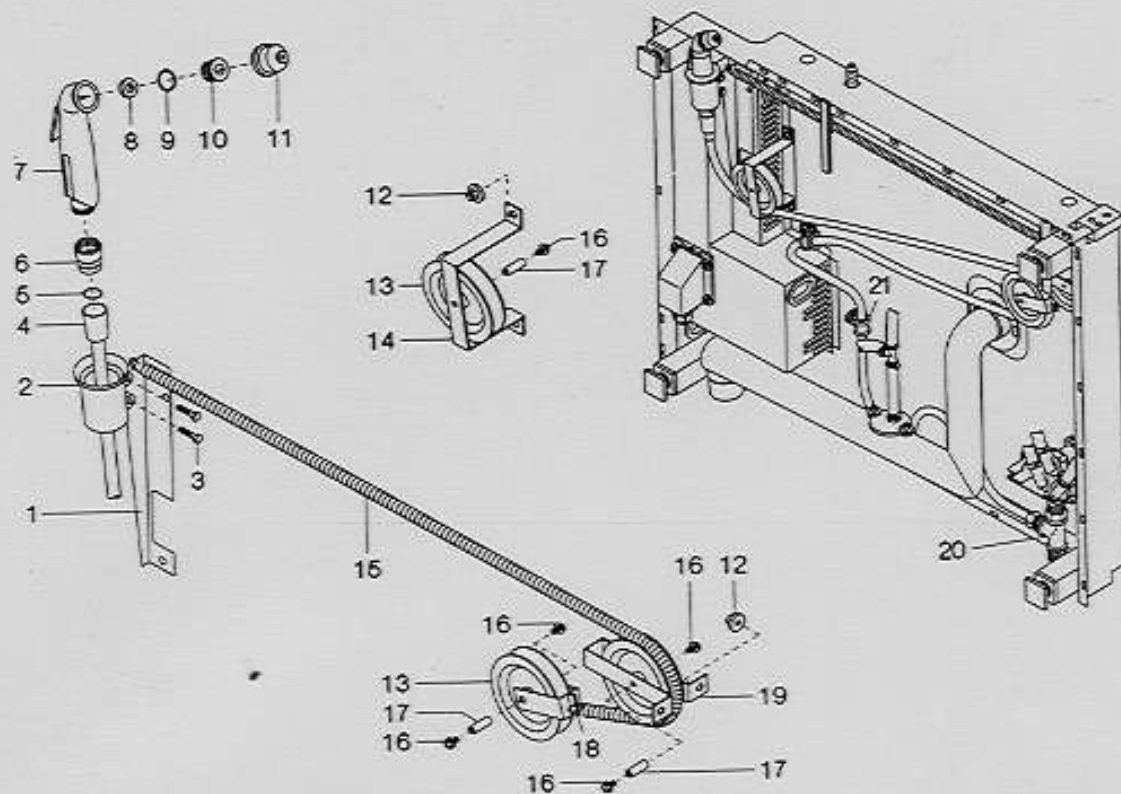
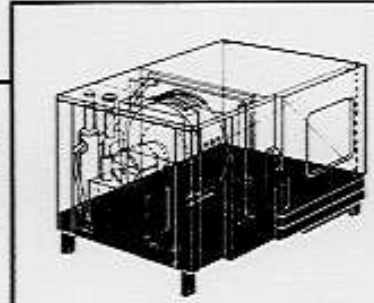


Bottom (Hand Shower)

Voltage	Group	Page	Edition	Application from Serial. No.
3 N AC 380V 50Hz	10	10.2	10.2.2	00692051316

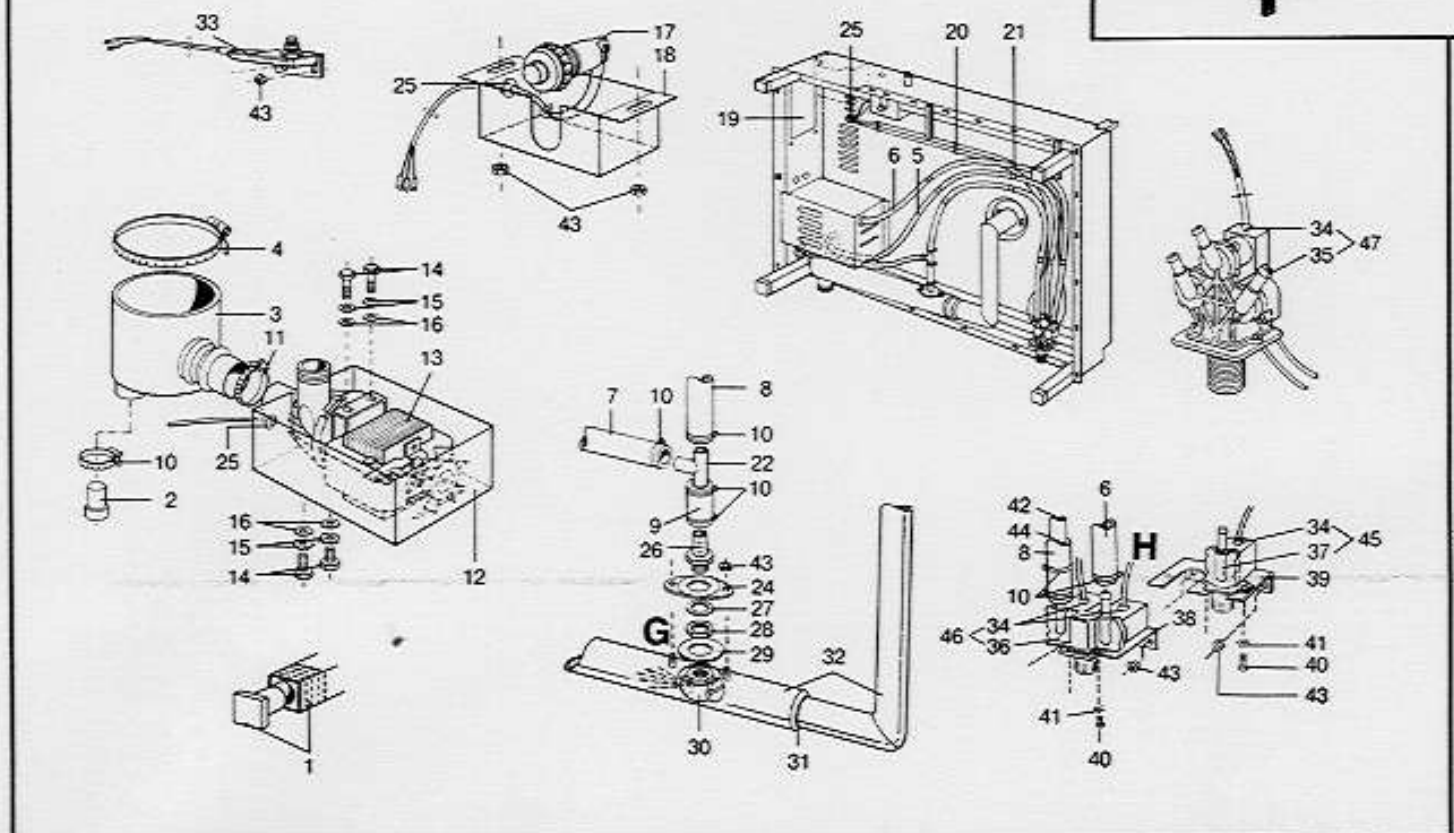


Qs.Pcs.	Sp.	Part No.	Description	Sign.
-	1	8630.0120	holder 2 cpl. (pos. 13,14,16,17)	
-	1	8630.0105	holder 3 cpl. (pos. 13,16,17,19)	
-	1	8630.0108	bow cpl. (pos. 13,16,17,18)	
1	1	2510.591415	holder for tulip	
2	1	2060.0121	tulip	
3	2	1008.0751	hex cap screw M5x25	
4	1	2067.0600	shower hose	
5	2	5012.0536	gasket for shower hose	
6	1	2060.0110	revolving joint	
7	1	2060.0100	hand shower cpl. (incl. pos. 8,9,10,11)	
8	1	2060.0218	gasket	
9	1	2060.0217	O-ring	
10	1	2060.0216	head screw	
11	1	2060.0215	mouthpiece	
12	9	1106.0801	hex-combi-nut M6	
13	3	2060.0112	hose reel	
14	1	8630.0121	holder 2	
15	1	2002.0400	tension spring	
16	5	1005.2000	safety screw M5x8	
17	2	2060.0115	axle	
18	1	8630.0103	bow	
19	1	2510.640687	holder 3	
20	1	8630.0109	T-connection piece cpl.	
21	2	2066.0510	hose clamp	



Bottom (Lower elevation)

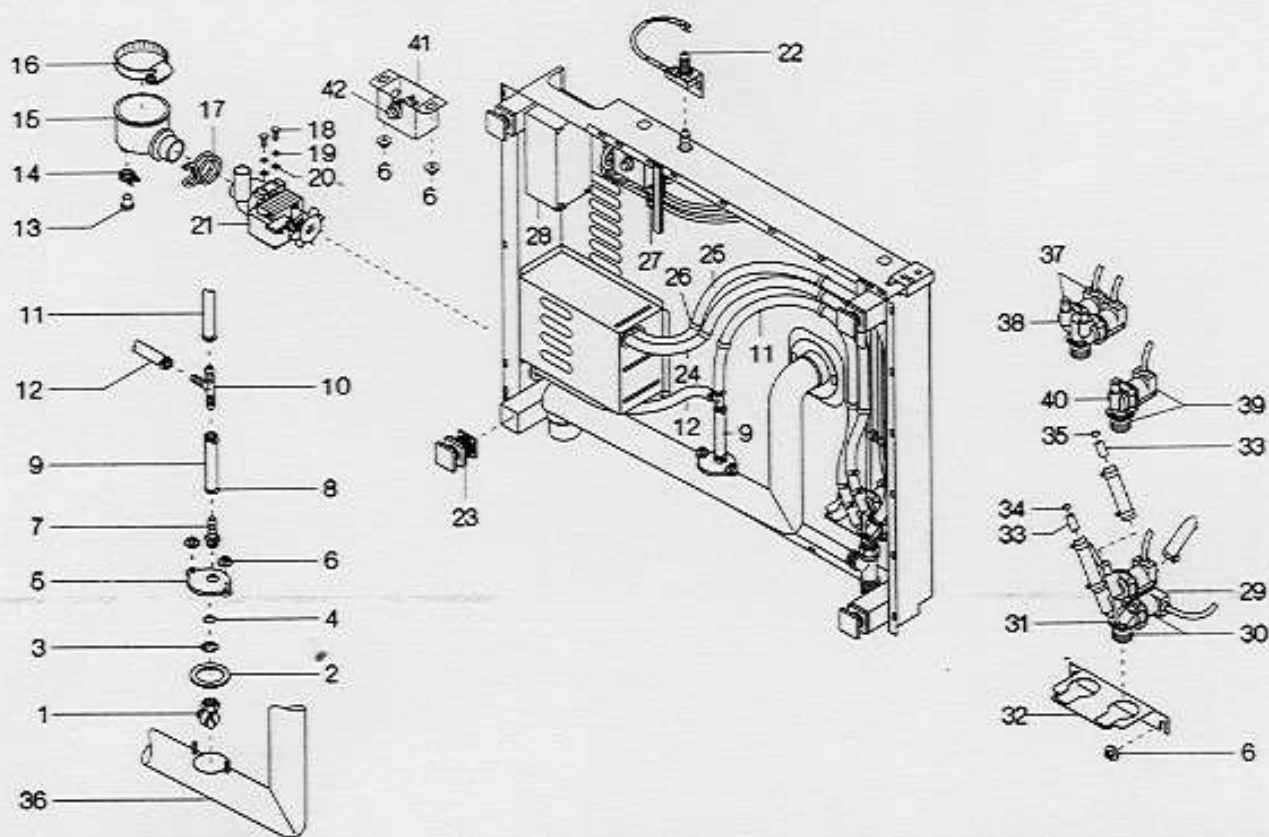
Component Group	Page	Edition	applicable from Serial No.
10	10.1	10.1.3	006 8910 4001



Pos.	Pcs.	Sp. Part No.	Description	Sign	Pos.	Pcs.	Sp. Part No.	Description	Sign
1	4	2039.0100	foot adjustable		27	1	5012.0532	gasket	
2	1	2016.0873	stopper for pump connection		28	1	2580.600594	washer	
3	1	2022.0110	pump connection		29	1	2070.0020	gasket	
4	1	2066.0505	hose clamp 70-90 mm		30	1	2016.0910	quench nozzle	
5	1	2067.0122	pressure hose 1900 mm long		31	1	2070.0013	gasket element	
6	1	2067.0124	pressure hose 1300 mm long		32	1	2070.0025	drain system complete	
7	1	2067.0125	pressure hose 900 mm long		33	1	3016.1400	door contact switch	
8	1	2067.0119	pressure hose 630 mm long		34	3	3002.0324	coil for solenoid valve	
9	1	2067.0126	pressure hose 100 mm long		35	1	3002.0315	body for triple solenoid valve	
10	8	2066.0202	hose clamp 12-22 mm		36	1	3002.0314	body for double solenoid valve (option)	
11	1	2066.0506	hose clamp		37	1	3002.0301	body for single solenoid valves (option)	
12	1	2510.690995	cover for discharging pump		38	1	2580.720384	holder for triple solenoid valve	
13	1	3002.1000	discharging pump		39	1	2580.910401	holder for 1 single solenoid valve and 1 double solenoid valve (option)	
14	4	1006.1960	socket countersunk head screw M 6x16		40	5	1004.0660	hex socket head cap screw M 4x10	
15	4	1206.0120	toothed lock washer A6,4		41	5	1204.0120	toothed lock washer A4,3	
16	4	1306.0120	washer A6,4		42	1	1900.0100	flow regulator (blue)	
17	1	3016.1352	pushbutton		43	8	1106.0160	hex nut M6	
18	1	2581.020843	holder for pushbutton		44	1	2016.0867	socket for flow regulator	
19	1	3038.0100	terminal box		45	1	3002.0305	single solenoid valves complete	
20	9	4006.0201	cable clamp		46	1	3002.0304	double solenoid valve complete	
21	9	4006.0203	cable clamp		47	1	3002.0311	triple solenoid valve complete	
22	1	2062.0302	T-fitting		-	1	8612.0101	quench nozzle complete (pos. 26, 27, 50, 28, 29, 30)	
24	1	2070.0021	cover for quench nozzle						
25	2	2022.0101	grommet						
26	1	2062.0102	hose fitting G 3/8"						

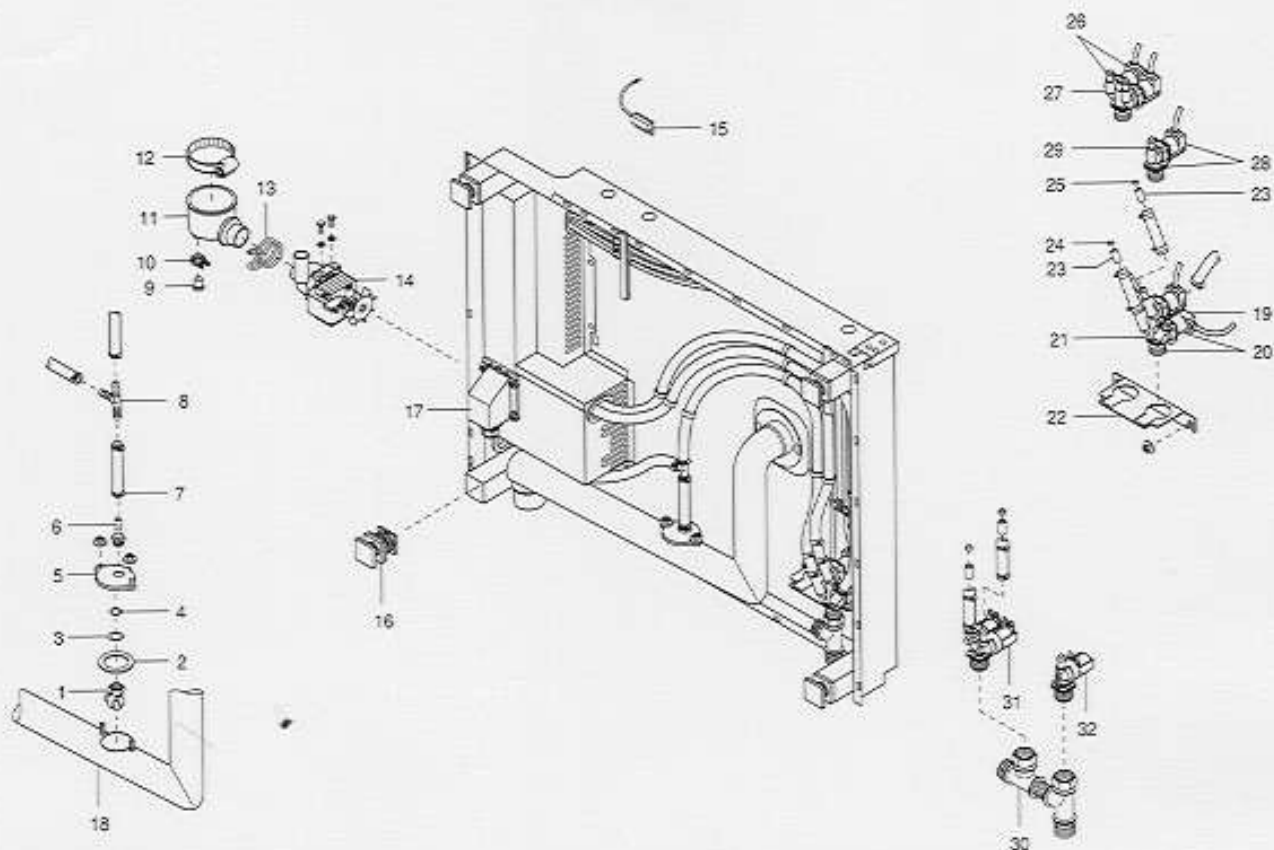
Bottom (Lower elevation)

Voltage	Group	Page	Edition	Application from Serial. No.
3 N AC 380V 50Hz	10	10.1	10.1.4	00691042001



Pos.Pcs.	Sp. Part No.	Description	Sign.	Pos.Pcs.	Sp. Part No.	Description	Sign.
-	1	8612.0101	quenching nozzle cpl. (pos. 1,2,3,4,5,7)	31	1	3002.0315	body for triple solenoid valve
1	1	2016.0910	quenching nozzle	32	1	2580.721120	holding bracket
2	1	2070.0020	gasket	33	2	2016.0867	socket for flow regulator
3	1	2580.600594	washer	34	1	1900.0100	flow regulator blue
4	1	5012.0532	O-ring	35	1	1900.0101	flow regulator green
5	1	2070.0021	cover	36	1	2070.0036	drain system cpl.
6	6	1106.0801	hex-combi-nut M6	37	1	3002.0327	double solenoid valve cpl. (option)
7	1	2062.0102	hose fitting G3/8"	38	1	3002.0314	body for double solenoid valve (option)
8	11	2066.0205	hose clamp 12-18mm	39	1	3002.0305	single solenoid valve cpl. (option)
9	1	2067.0126	pressure hose 100mm long	40	1	3002.0301	body for single solenoid valve (option)
10	1	2062.0302	T-fitting	41	1	2581.020843	holder for push button
11	1	2067.0103	pressure hose 660mm long	42	1	3016.1352	push button
12	1	2067.0158	pressure hose 920mm long				
13	1	2016.0873	plug for pump connection				
14	1	2066.0517	hose clamp 18,2mm				
15	1	2022.0110	pump connection				
16	1	2066.0516	hose clamp 60-80mm				
17	1	2066.0519	hose clamp 35,5mm				
18	2	1006.1960	hex cap screw M6x16				
19	2	1206.0120	toothed lock washer A6,4				
20	2	1306.0120	washer A6,4				
21	1	3002.1000	discharging pump				
22	1	3016.1400	door switch				
23	4	2039.0100	foot adjustable				
24	1	2067.0120	pressure hose 1420mm long				
25	1	2067.0115	pressure hose 1220mm long				
26	12	4006.0203	hose clamp				
27	9	4006.0201	cable clamp				
28	1	3038.0100	terminal box				
29	3	3002.0329	coil				
30	1	3002.0328	triple solenoid valve cpl.				

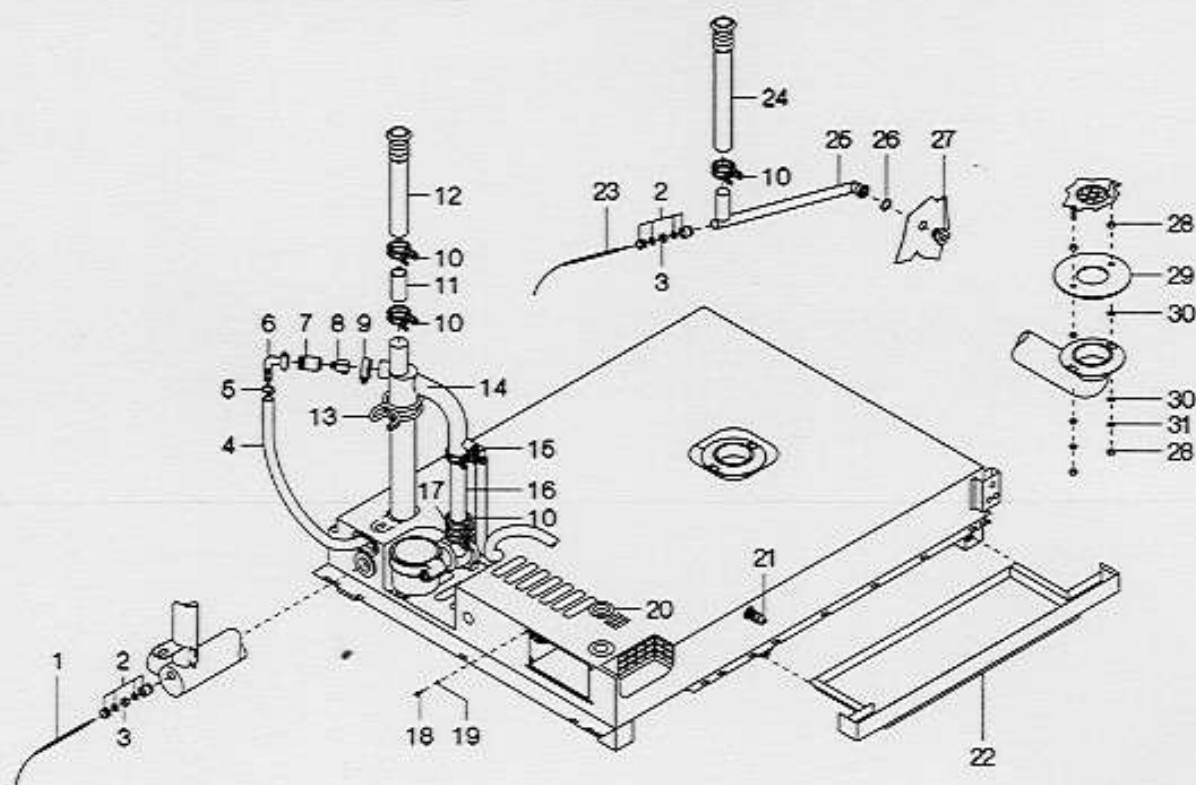
Bodengruppe (Unterseite)	Spannung	Baugruppe	Ausgabe	gültig ab Seriennummer
Bottom (Lower elevation)	Voltage	Group	Edition	Applicable from Serial.No.
	3 N AC 400V 50Hz	10	10.1.6	00696011001



Pos.	St.	Ersatz.Nr.	Bezeichnung	Description
Pos.	Pcs.	Sp. Part No.		
-	-	2067.0050	Druckschlauch NW10 1 lfm.	Pressure hose NW10 per meter
-	1	8612.0101	Ablöschdüse kpl. unten	Quench nozzle cpl. down
1	1	2016.0910	Ablöschdüse	Quenching nozzle
2	1	2070.0020	Dichtung für Ablöschung	Gasket for quenching
3	1	2580.600594	Scheibe für Ablöschdüse	washer for quench.nozzle
4	1	5012.0532	O-Ring Ablöschung	O-ring quenching nozzle
5	1	2070.0021	Deckel für Ablöschung	Holding cover for quenching nozzle
6	1	2062.0102	Schlauchtülle G3/8"	Hose fitting G 3/8"
7	9	2066.0205	Schlauchschele 12-18 mm	Hose clamp 12-18 mm
8	1	2062.0302	T-Stück TS 10	T-fitting TS10
9	1	2016.0873	Stopfen für Pumpenanschluß	Plug for pump connection
10	1	2066.0517	Schlauchklemme 18,2mm	Hose clamp 18,2mm
11	1	2022.0110	Pumpenanschluss ab 04/91	Pump connection from 04/91
12	1	2066.0516	Schlauchschele 60-80mm	Hose clamp 60x80 mm
13	1	2066.0519	Schlauchklemme d 35,6 mm	Hose clamp 35,6mm
14	1	3002.1000	Entleerungspumpe 200-240 V, 50/60 Hz	Emptying pump 200-240V 50/60 Hz
15	1	3016.1415	Türkontaktschalter	Door contact switch
16	4	2039.0100	Kunststoff-Einsteckfuß	Foot adjustable plastic
17	1	8801.0205	Anschlußkasten kpl.	Terminal box cpl.
18	1	2070.0036	Abflußsystem 1-teilig	Drain system model 6
19	-	3002.0329	Magnetventilspule 220-240V 50/60Hz	Coil for solenoid valve 220-240V 50/60Hz
20	1	3002.0328	Dreifachmagnetventil kpl.	Triple solenoid valve cpl.
21	1	3002.0315	Gehäuse für Dreifachmagnetventil	body for triple solenoid valve
22	1	2580.721120	Haltewinkel für Zweifachmagnetventil	Bracket for double solenoid valve
23	2	2016.0867	Aufnahme für Durchflußmengenregler	Socket for flow controller
24	1	1900.0100	Durchflußmengenregler blau, Typ 6	Flow controller blue
25	1	1900.0101	Durchflußmengenregler grün, Typ 101	Flow controller green
26	-	3002.0327	Doppelmagnetventil kpl. (Option)	Double solenoid valve cpl. (option)
27	-	3002.0314	Gehäuse für Doppelmagnetventil (Option)	body for double solenoid valve (option)
28	-	3002.0305	Einfachmagnetventil kpl. (Option)	Single solenoid valve cpl. (option)
29	-	3002.0301	Gehäuse für Einfachmagnetventil (Option)	Body for single solenoid valve (option)
ab Seriennummer 0069603XXXX				from serial. no. 0069603XXXX
30	1	8621.0100	Fittingsatz Wasseranschluß	Fitting set water connection
31	1	3002.0330	Doppelmagnetventil kpl.	Double solenoid valve cpl.
32	1	3002.0331	Einfachmagnetventil kpl.	Single solenoid valve cpl.

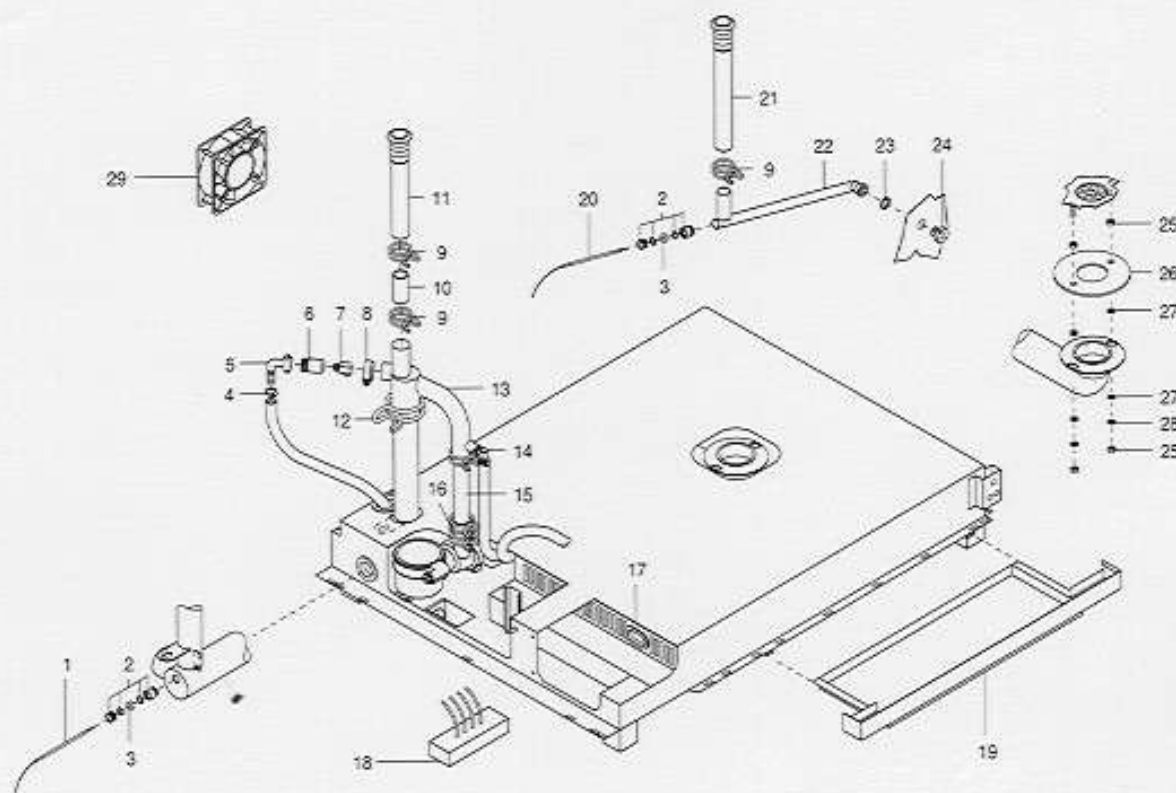
Bottom (Top elevation)

Voltage	Group	Page	Edition	Application from Serial. No.
3 N AC 380V 50Hz	9	9.1	9.1.4	00691042001

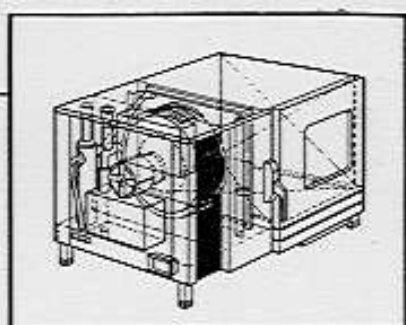


Pos.Pcs.	Sp.	Part No.	Description	Sign.	Pos.Pcs.	Sp.	Part No.	Description	Sign.
-	1	8612.0110	quenching nozzle cpl. (pos.7,8)		29	1	5012.0555	gasket	
1	1	3014.0312	thermostat quenching	P4	30	4	1306.0221	washer A6,4	
2	2	4007.0600	cable connection PG9		31	2	1206.0120	toothed lock washer A6,4	
3	2	2022.0100	gasket						
4	1	2067.0163	pressure hose 800mm long						
5	4	2066.0205	hose clamp 12-18mm						
6	1	2062.0208	threaded pipe angle G1/2"						
7	1	2016.0883	threaded connection for quenching nozzle						
8	1	2016.0916	quenching nozzle						
9	1	2066.0506	hose clamp 20-32mm						
10	3	2066.0518	hose clamp 30mm						
11	1	2610.420319	PP-pipe 50mm long						
12	1	4016.0102	air inlet grommet						
13	1	2066.0520	hose clamp 46mm						
14	1	2022.0201	drain elbow						
15	1	2062.0301	plastic elbow fitting						
16	1	2644.260289	PP-pipe 140mm long						
17	1	2022.0202	hose connection pipe 40mm long						
18	4	1004.0660	hex socket head screw M4x10						
19	4	1204.0120	toothed lock washer A4,3						
20	3	4016.0450	grommet						
21	1	3016.1400	door switch	S1					
22	1	8100.0115	drip collector						
23	1	3014.0155	thermostat bypass	P2					
24	1	4016.0101	air inlet grommet						
25	1	2071.0100	bypass pipe						
26	1	1315.0104	copper washer						
27	1	2016.0920	bypass nozzle						
28	6	1106.0160	hex nut M6						

Bodengruppe (Oberseite) Bottom (Top elevation)	Spannung Voltage	Baugruppe Group	Ausgabe Edition	gültig ab Seriennummer Applicable from Serial.No.
	3 N AC 400V 50Hz	9	9.1.6	00696011001

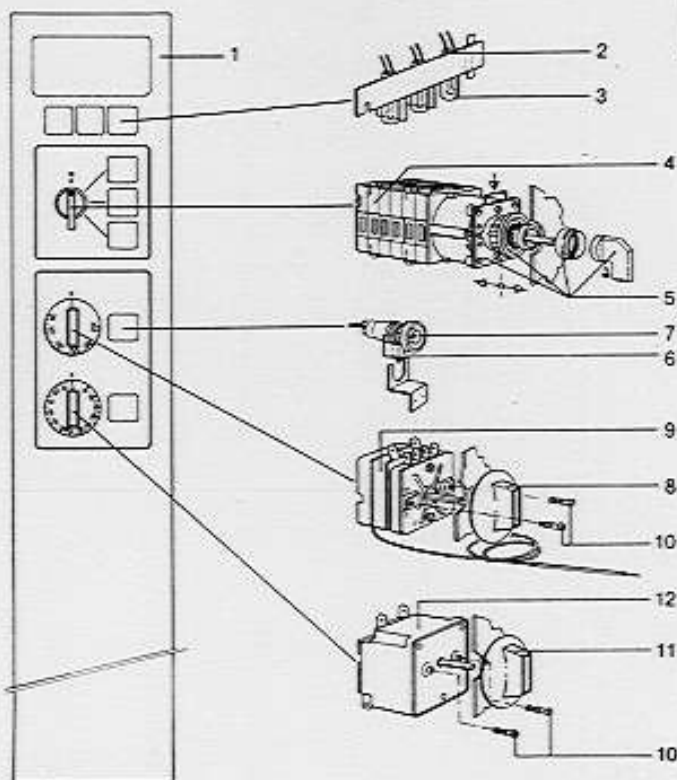


Pos.	St.	Ersatz.Nr.	Bezeichnung	Description
Pos.	Pcs.	Sp. Part No.		
-	-	2067.0050	Druckschlauch NW 10 11fm.	Pressure hose NW10 per meter
-	1	8612.0110	Ablöschdüse oben komplett	Quench nozzle top
1	1	3014.0312	Thermostat Ablöschung	Thermostat quenching system
2	2	4007.0600	Kabelverschraubung PG 9	Cable connection PG9
3	2	2022.0100	Silikondurchführung rot	Silicone gasket red
4	4	2066.0205	Schlauchschelle 12-18 mm	Hose clamp 12-18 mm
5	1	2062.0208	Winkelverschraubung G1/2"x10	Elbow Nipple 1/2"x10mm
-	1	5012.0539	Dichtung Winkelverschraubung G1/2"	Gasket for G1/2" threaded joint
6	1	2016.0883	Verschraubung Ablöschdüse	Threaded connection for quenching nozzle
7	1	2016.0916	Ablöschdüse oben	Quenching nozzle top
8	1	2066.0506	Schlauchschelle 20-32mm	Hose clamp 20-32mm
9	6	2066.0518	Schlauchklemme 30mm	Hose clamp 30mm
10	1	2610.420319	PP-Rohr 50mm lang	PP-pipe 50mm type 6 drain vent
11	1	4016.0102	Entlüftungstülle 200mm	Vent grommet 200mm
12	1	2066.0520	Schlauchklemme d 47 mm	Hose clamp 47 mm
13	1	2022.0201	Abflußkrümmer	Drain elbow
14	1	2062.0301	Winkelschlauchfitting WS 10	Angle fitting plastic WS 10
15	1	2644.260289	PP-Rohr 140mm	PP-pipe 140 mm type 6 pump connection
16	1	2022.0202	Schlauchstutzen 40mm SC-Pumpe	Hose connection piece 40 mm SC-pump
17	3	4016.0450	Formtülle	Vent grommet
18	1	3001.0452	Entstörfilter	Electronic noise filter
19	1	8100.0115	Fettauffangwanne	Drip collector
20	1	3014.0155	Thermostat Bypass	Thermostat bypass CD
21	1	4016.0101	Entlüftungstülle 250mm	Vent grommet 250mm
22	1	2071.0100	Bypassrohr	Bypass pipe
23	1	1315.0104	Kupferdichtung 16x20x1,5	Copper washer 16x20x1,5
24	1	2016.0920	Bypassdüse ab 04/91	Bypass nozzle
25	6	1106.0160	Sechskantmutter M6	Hex nut M6
26	1	5012.0555	Dichtung Bodenablauf	gasket for drain
27	4	1306.0221	Unterlegscheibe A6,4 DIN9021	Washer A6,4 DIN125
28	2	1206.0120	Zahnscheibe A6,4	Toothed lock washer A6,4
29	1	3101.1008	Kühllüfter	Cooling motor

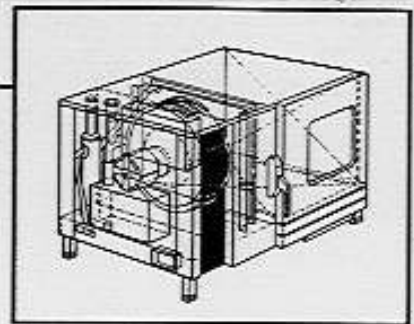


Control Panel

Component Group	Page	Edition	applicable from Serial No.
1	1.1	1.1.1	006 86 011061

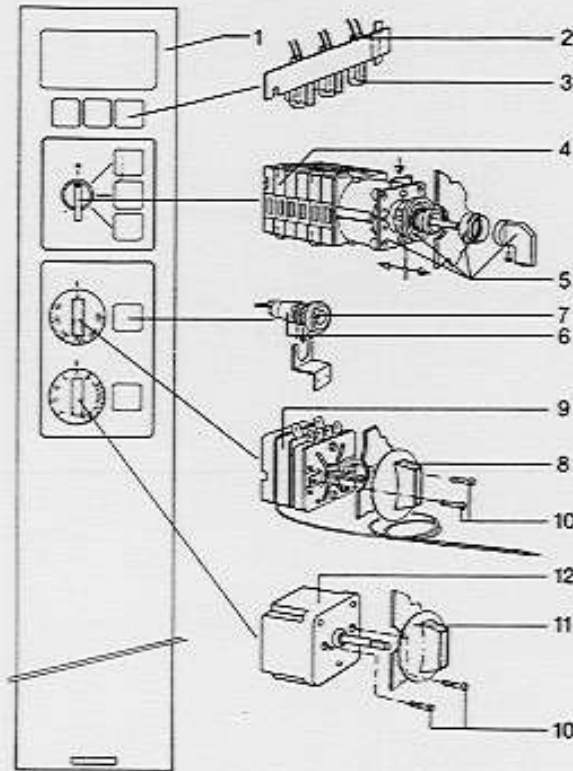


Pos.	Pcs.	Sp. Part No.	Description	Sign
1	1	2049.0521	control panel	
2	3	3024.0303	socket for control lamp	
3	3	3025.0304	bulb for control lamp	
4	1	3016.1300	mode switch block	S2
5	1	3016.1310	mode switch knob assy	
6	1	3023.0300	socket for heating controller	
7	1	3024.0300	glow lamp for heating controller	
8	1	3013.0201	dial 60° - 300°C	
9	1	3014.0318	thermostat hot air heating	P5
10	4	1004.0060	slotted pan head screw M 4x4	
11	1	3013.0108	dial 120 min	
12	1	3013.0109	timer 120 min	S3

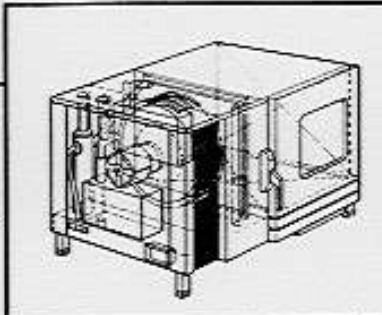


Control Panel

Component Group	Page	Edition	applicable from Serial No.
1	1.1	1.1.2	006 88 09 2219

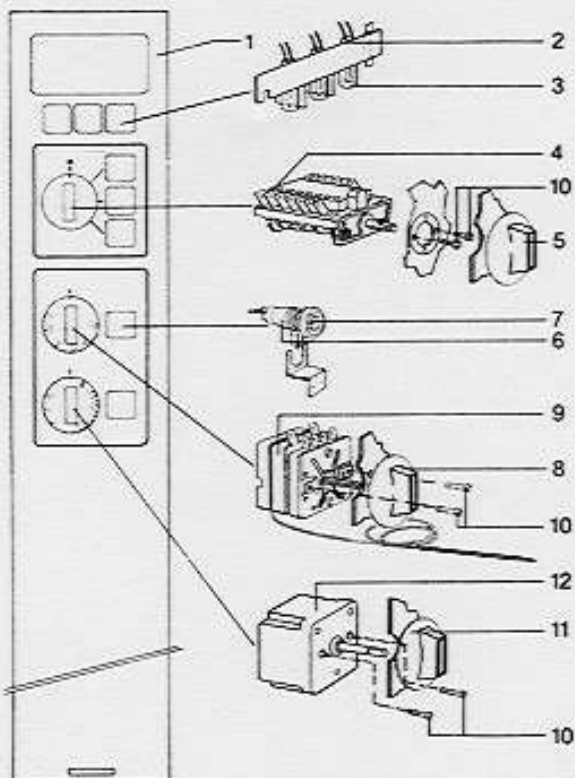


Pos.	Pcs.	Sp.	Part No.	Description	Sign
1	1		2049.0521	control panel	
2	3		3024.0303	socket for control lamp	
3	3		3025.0304	bulb for control lamp	
4	1		3016.1300	mode switch block	S2
5	1		3016.1310	mode switch knob assy	
6	1		3023.0300	socket for heating controller	
7	1		3024.0300	glow lamp for heating controller	
8	1		3013.0201	dial 60 degrees - 300 degrees C	
9	1		3014.0318	thermostat hot air heating	P5
10	4		1004.0060	slotted pan head screw M 4x4	
11	1		3013.0105	dial 30 min. spreading	
12	1		3013.0104	timer 30 min. spreading	

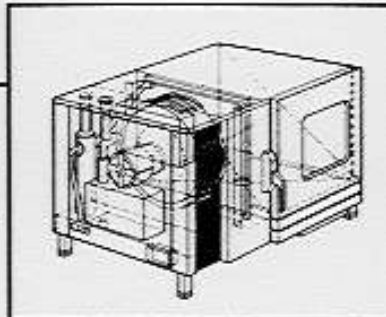


Control Panel

Component Group	Page	Edition	applicable from Serial No.
1	1.1	1.1.3	006 89 04 1274

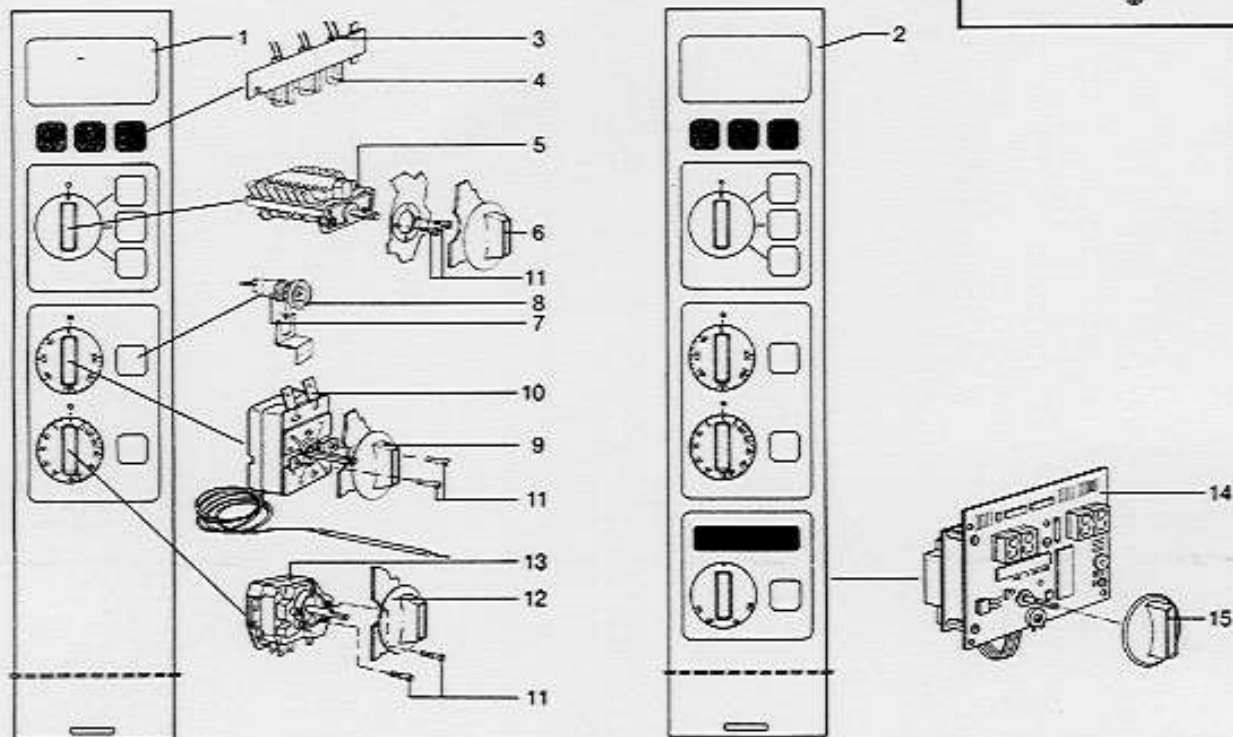


Pos.	Pcs.	Sp.	Part No.	Description	Sign
1	1		2049.0670	control panel	
2	3		3024.0303	socket for control lamp	— from 00689081970: 1 8430.7110 lamp block complete
3	3		3025.0304	bulb for control lamp	— from 00689081970: 3 3025.0306 bulb for control lamp
4	1		3016.1610	mode switch	S2
5	1		3013.0113	dial for mode switch	
6	1		3023.0300	socket for heating controller	
7	1		3024.0300	glow lamp for heating controller	
8	1		3013.0201	dial 60 degrees – 300 degrees C	
9	1		3014.0318	thermostat hot air heating	P5
10	6		1004.0060	slotted pan head screw M 4x4	
11	1		3013.0105	dial 30 min spreading	
12	1		3013.0104	timer 30 min spreading	S3



Control Panel

Component Group	Page	Edition	applicable from Serial No.
1	1.1	1.1.4	006 89 10 4001



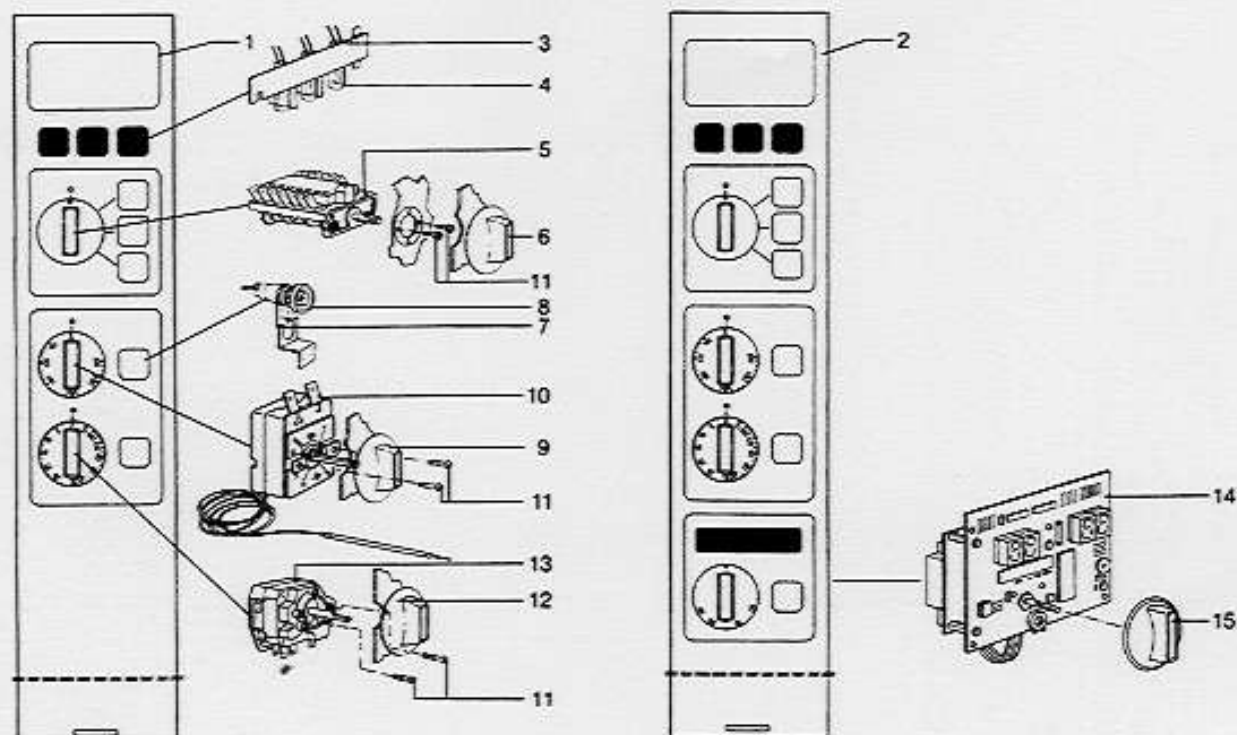
Pos.	Pcs.	Sp. Part No.	Description	Sign
1	1	2049.0670	control panel	
2	1	2049.0750	control panel with core temperature/ meat probe	
3	1	8430.7110	lamp block complete	
4	3	3025.0306	bulb for control lamp	
5	1	3016.1640	mode switch	S2
6	1	3013.0113	dial for mode switch	
7	1	3023.0300	socket for heating controller	
8	1	3024.0300	glow lamp for heating controller	
9	1	3013.0201	dial 60 degrees - 300 degrees C	
10	1	3014.0318	thermostat hot air heating	P5
11	8	1004.0060	slotted pan head screw M 4x4	
12	1	3013.0105	dial 30 min spreading	
13	1	3013.0104	timer 30 min spreading	S3
14	1	3035.0630	meat probe controller	
15	1	3013.0114	dial for meat probe controller	

**Bedienblende
Control Panel**

 Spannung
Voltage
3 N AC 400V 50Hz

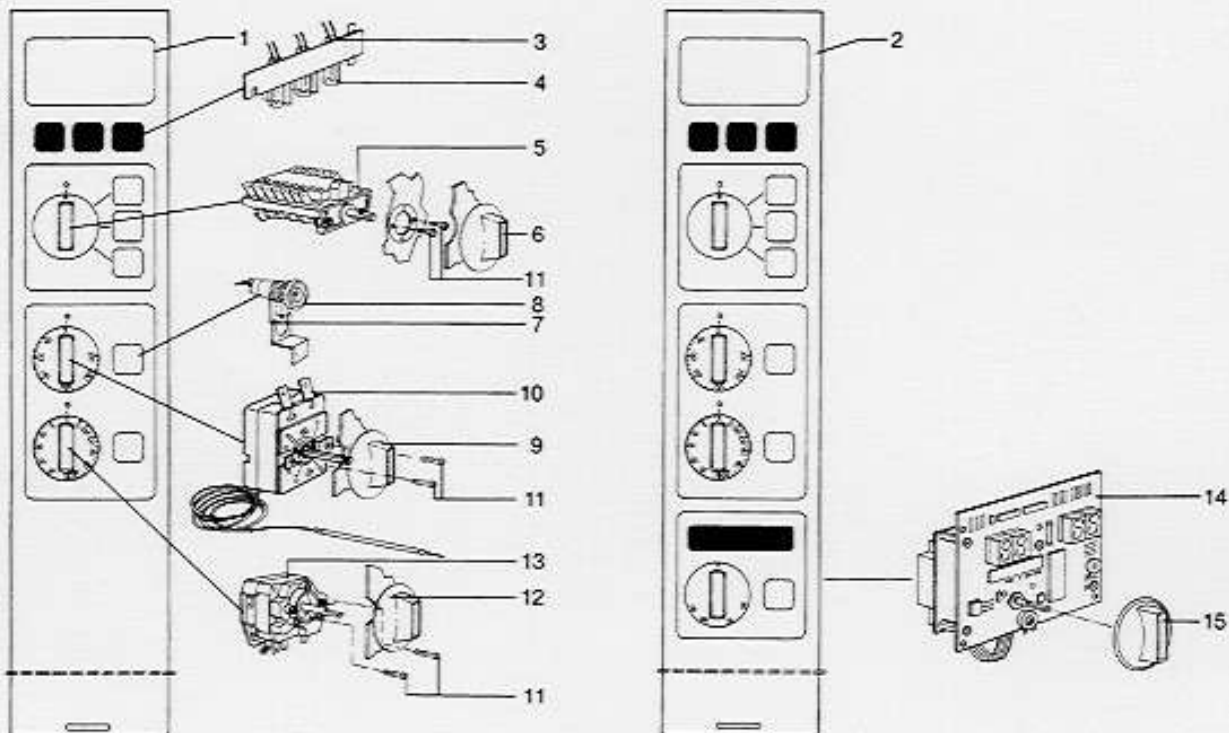
 Baugruppe
Group
1

 Ausgabe
Edition
1.1.5

 gültig ab Seriennummer
Applicable from Serial.No.
00696011001


Pos.	St.	Ersatz-Nr.	Bezeichnung	Description
Pos.	Pcs.	Sp. Part No.		
1	1	2049.0670	Blende	Control panel
2	1	2049.0750	Blende mit Kerntemperatur	Control panel with core temperature meat probe
3	3	8430.7110	Lampenblock kpl.	Lamp-block complete
4	3	3025.0306	Glühlampe für Kontrolleuchte	Bulb for control lamp
5	1	3016.1640	Betriebsartenschalter CD	Mode switch block type CD
6	1	3013.0113	Knebel Betriebsart	Dial for mode switch
7	1	3023.0300	Fassung für Heizungskontrolleuchte	Socket for heating control
8	1	3024.0300	Glimmlampe 230V, für Heizungskontrolleuchte	Glow lamp for heating control
9	1	3013.0201	Knebel für Heißluftthermostat 60-300°C	Dial 60-300°C type CD
10	1	3014.0318	Thermostat Heißluftheizung 60-300°C	Thermostat hot air 60-300°C
11	8	1004.0060	Zylinderschraube mit Schlitz M4x4	Slotted pan head screw M4x4
12	1	3013.0105	Knebel für Zeitschaltuhr mit 30min Spreizung	Dial for timer with 30min. spreading
13	1	3013.0104	Zeitschaltuhr 120Min. mit 30Min.Spreizung	Timer white 120min. with 30min.spreading
14	1	3035.0630	Regelplatine KT	CT PCB type CD
15	1	3013.0114	Knebel f. KT-Schalter	Dial for CT switch
-	1	3016.1415	Türkontaktschalter	Door contact switch

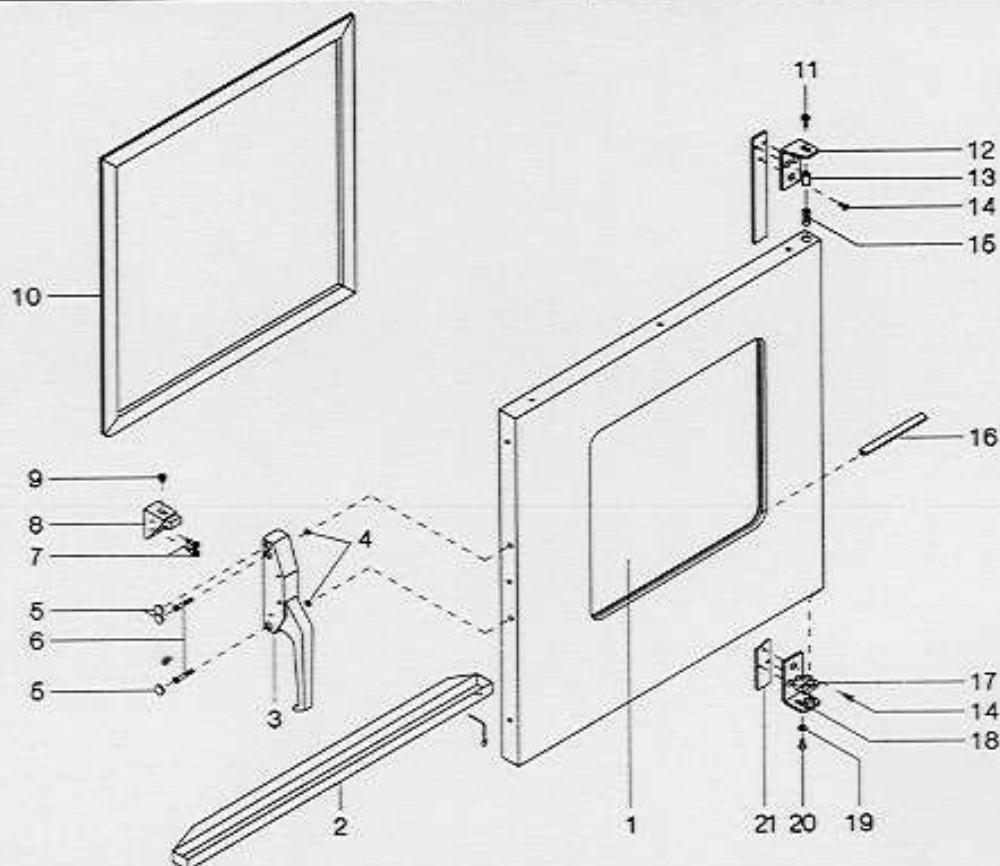
Bedienblende Control Panel	Spannung Voltage 3 N AC 400V 50Hz	Baugruppe Group 1	Ausgabe Edition 1.1.5	gültig ab Seriennummer Applicable from Serial.No. 00696011001
---------------------------------------------	-----------------------------------------	-------------------------	-----------------------------	---------------------------------------------------------------------



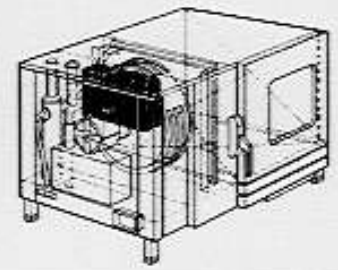
Pos.	St.	Ersatz.Nr.	Bezeichnung	Description
Pos.	Pcs.	Sp. Part No.		
1	1	2049.0670	Blende	Control panel
2	1	2049.0750	Blende mit Kerntemperatur	Control panel with core temperature meat probe
3	3	8430.7110	Lampenblock kpl.	Lamp-block complete
4	3	3025.0306	Glühlampe für Kontrolleuchte	Bulb for control lamp
5	1	3016.1640	Betriebsartenschalter CD	Mode switch block type CD
6	1	3013.0113	Knebel Betriebsart	Dial for mode switch
7	1	3023.0300	Fassung für Heizungskontrolleuchte	Socket for heating control
8	1	3024.0300	Glimmlampe 230V, für Heizungskontrolleuchte	Glow lamp for heating control
9	1	3013.0201	Knebel für Heißluftthermostat 60-300°C	Dial 60-300°C type CD
10	1	3014.0318	Thermostat Heißluftheizung 60-300°C	Thermostat hot air 60-300°C
11	8	1004.0060	Zylinderschraube mit Schlitz M4x4	Slotted pan head screw M4x4
12	1	3013.0105	Knebel für Zeitschaltuhr mit 30min Spreizung	Dial for timer with 30min. spreading
13	1	3013.0104	Zeitschaltuhr 120Min. mit 30Min.Spreizung	Timer white 120min. with 30min.spreading
14	1	3035.0630	Regelplatine KT	CT PCB type CD
15	1	3013.0114	Knebel f. KT-Schalter	Dial for CT switch
-	1	3016.1415	Türkkontaktschalter	Door contact switch

Door

Voltage	Group	Page	Edition	Application from Serial. No.
3 N AC 380V 50Hz	8	8.1	8.1.3	00691042001

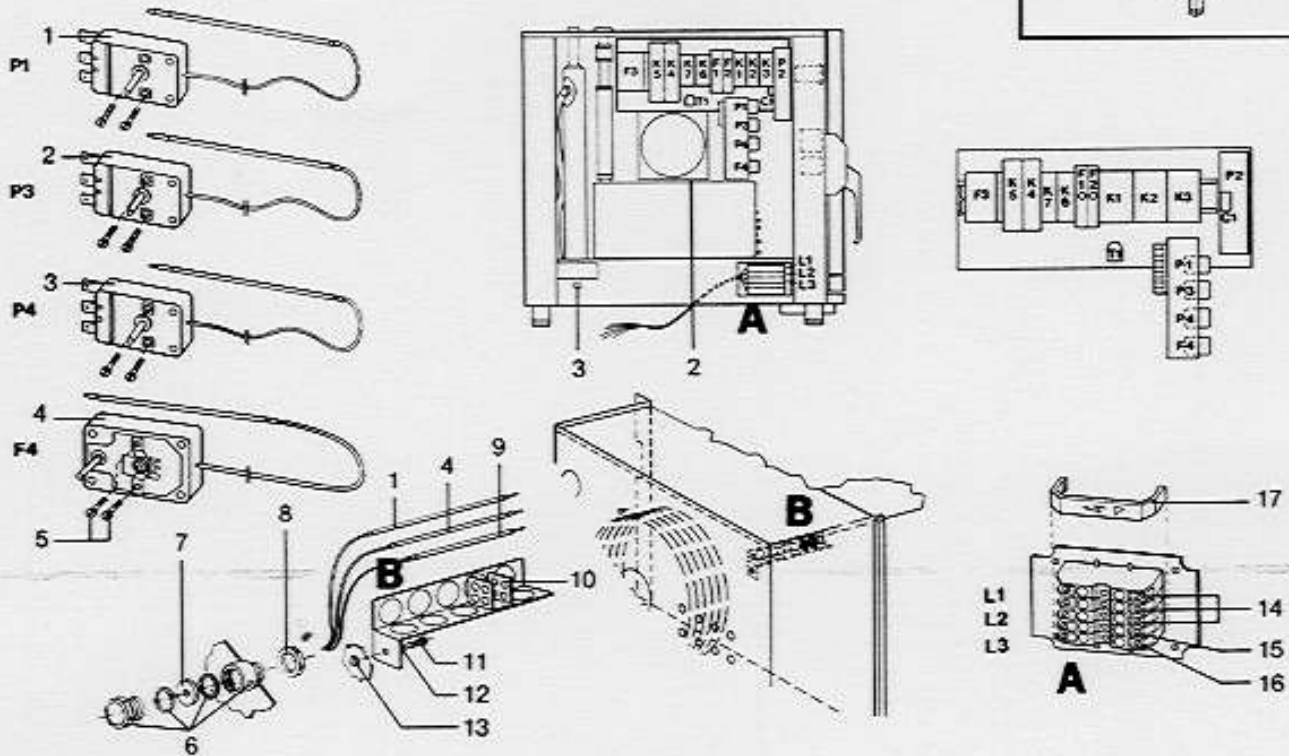


Pos.	Pcs.	Sp.	Part No.	Description	Sign.
-	1		8201.1501	door cpl.	
1	1		5015.1000	door window	
2	1		2530.031166	door drip collector	
3	1		2016.1100	door lock	
4	2		1305.0260	washer A5,3	
5	3		2016.1102	end-cap door lock	
6	2		1005.1964	hex socket countersunk head screw M5x30	
7	3		1005.2100	safety screw M5x16	
8	1		2016.0610	door catch	
9	2		1005.2000	safety screw M5x8	
10	1		5012.0703	door gasket	
11	1		1008.0752	hex cap screw M5x10	
12	1		8440.1000	door holder top	
13	1		2016.0801	door bolt	
14	6		1005.1960	hex socket countersunk head screw M5x16	
15	1		2001.0108	compression spring	
16	1		5012.0201	set gasket for door window	
17	1		2016.0884	door locking plate	
18	1		2630.210311	door holder down	
19	2		1205.0362	spring washer A5,3	
20	1		1008.0752	hex cap screw M5x10	
21	1		2630.200315	door holding bracket	

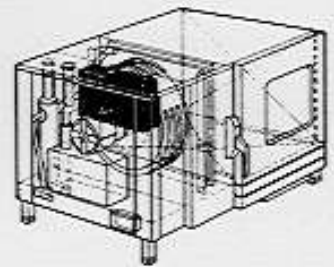


Electrical Installation

Component Group	Page	Edition	applicable from Serial No.
2	2.2	2.2.1	006 86 011061

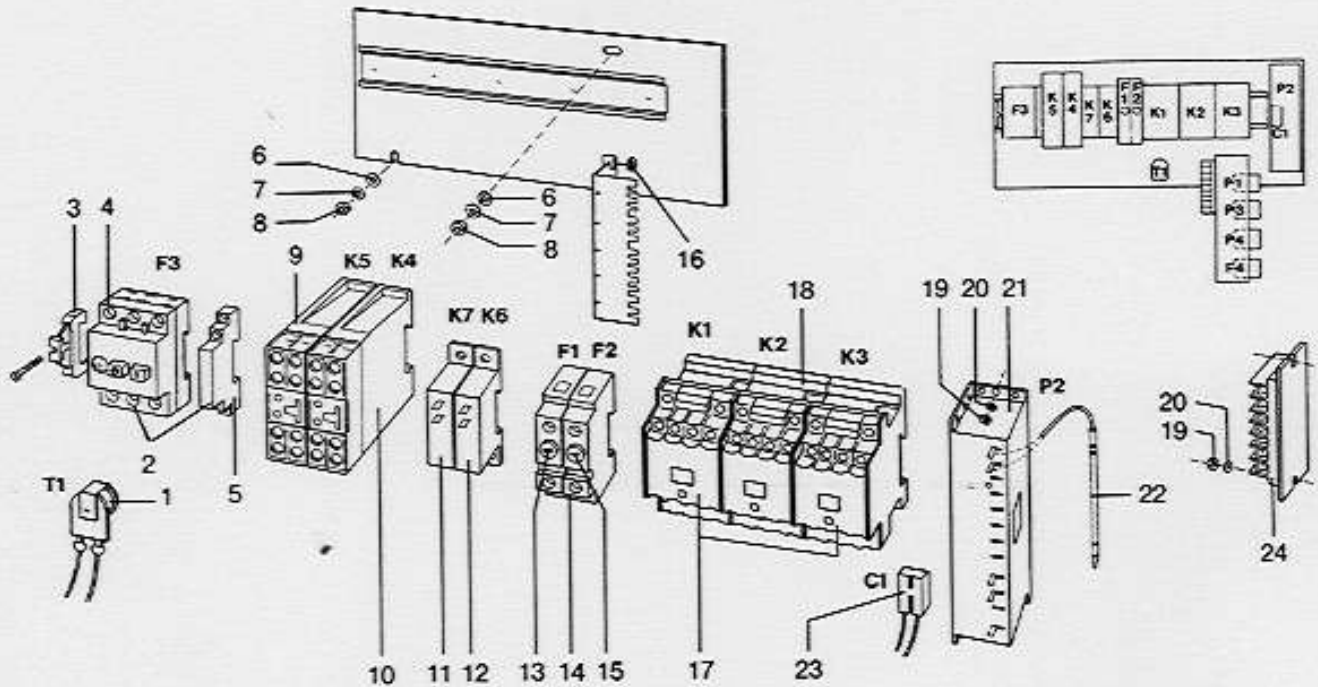


Pos.	Pcs.	Sp.	Part No.	Description	Sign
1	1		3014.0311	thermostat "unit too hot"	P1
2	1		3014.0314	thermostat steam generator	P3
3	1		3014.0312	thermostat quenching system	P4
4	1		3014.0310	bi-limit safety thermostat	F4
5	8		1004.0060	slotted pan head screw M 4x4	
6	1		4007.0600	cable connection PG9	
7	1		2022.0100	gasket	
8	1		4007.0601	lock nut for cable connection	
9	1		3014.0318	thermostat hot air heating	P5
10	1		8430.7002	holder for thermostat complete	
11	1		1004.0660	hex socket head cap srew M 4x10	
12	1		1204.0120	toothed lock washer A 4,3	
13	1		1104.0400	rivet nut M4	
14	3		4001.1209	terminal block grey 16 mm ²	
15	1		4001.1250	terminal block blue 16 mm ²	
16	1		4001.1210	ground terminal block yellow/green 16 mm ²	
17	1		4001.1213	cover	

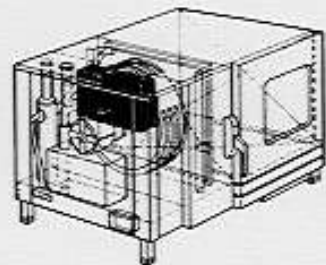


Electrical Installation

Component Group	Page	Edition	applicable from Serial No.
2	2.1	2.1.2	006 88 03 1245

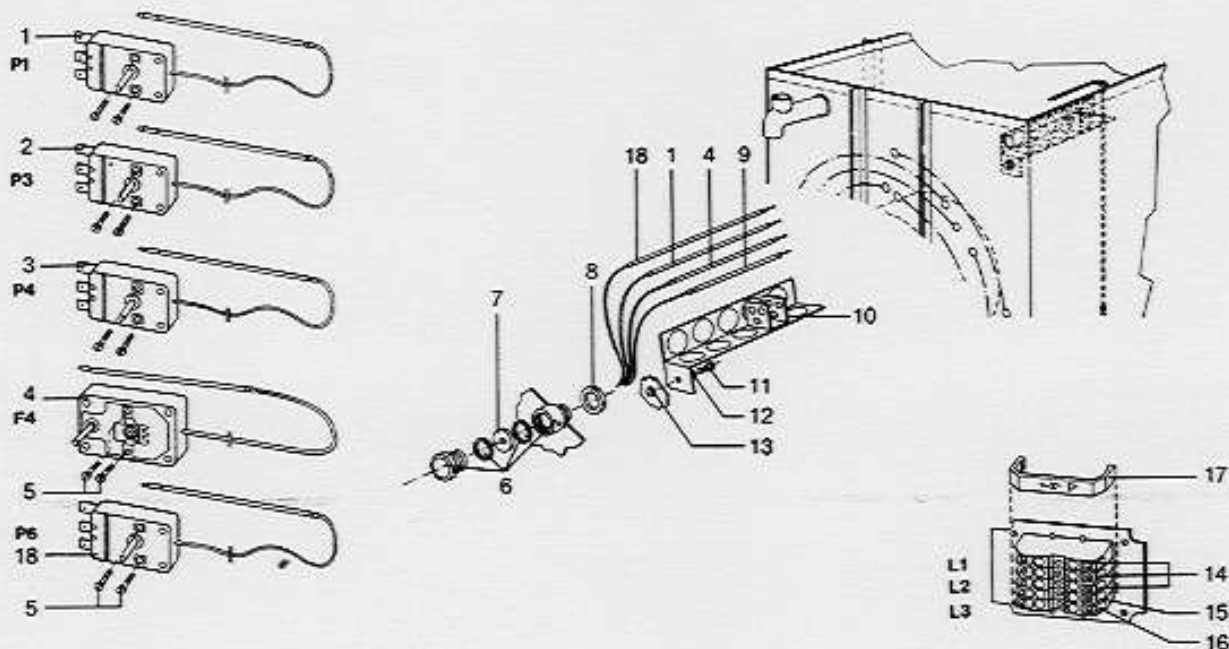


Pos.	Pcs.	Sp.	Part No.	Description	Sign
1	1		3006.0101	buzzer	T1
2	1		3031.0101	motor protector with auxiliary contact	F3
3	3		4001.1201	endplate	
4	-		3031.0106	motor protector	
5	-		3031.0102	auxiliary contact for motor protector F3	
6	2		1306.0221	washer A6,4	
7	2		1206.0120	toothed lock washer A6,4	
8	2		1106.0160	hex nut M6	
9	1		3035.0401	time relay generator filling	K5
10	1		3035.0402	time relay low water	K4
11	1		3035.0403	time relay - blinker	K6
12	1		3035.0404	time relay	K7
				1 sec. start delay	
13	1		3019.0200	fuse 6,3 A	
14	2		4001.1228	fuse holder	F1,F2
15	1		3019.0400	fuse 0,5 A	
16	1		4016.0400	grommet	
17	1		3028.0100	contactor steam generator heating	K3
17	1		3028.0100	motor contactor	K1
18	1		3028.0103	contactor for hot air heating	K2
19	4		1103.0120	hex nut M3	
20	4		1304.0150	washer A3,2	
21	1		3014.0113	solid state steam controller	P2
22	1		3014.0152	sensor for bypass	P2
23	1		3035.0508	RC-link	C1
24	1		4001.1175	multi connector	



Electrical Installation

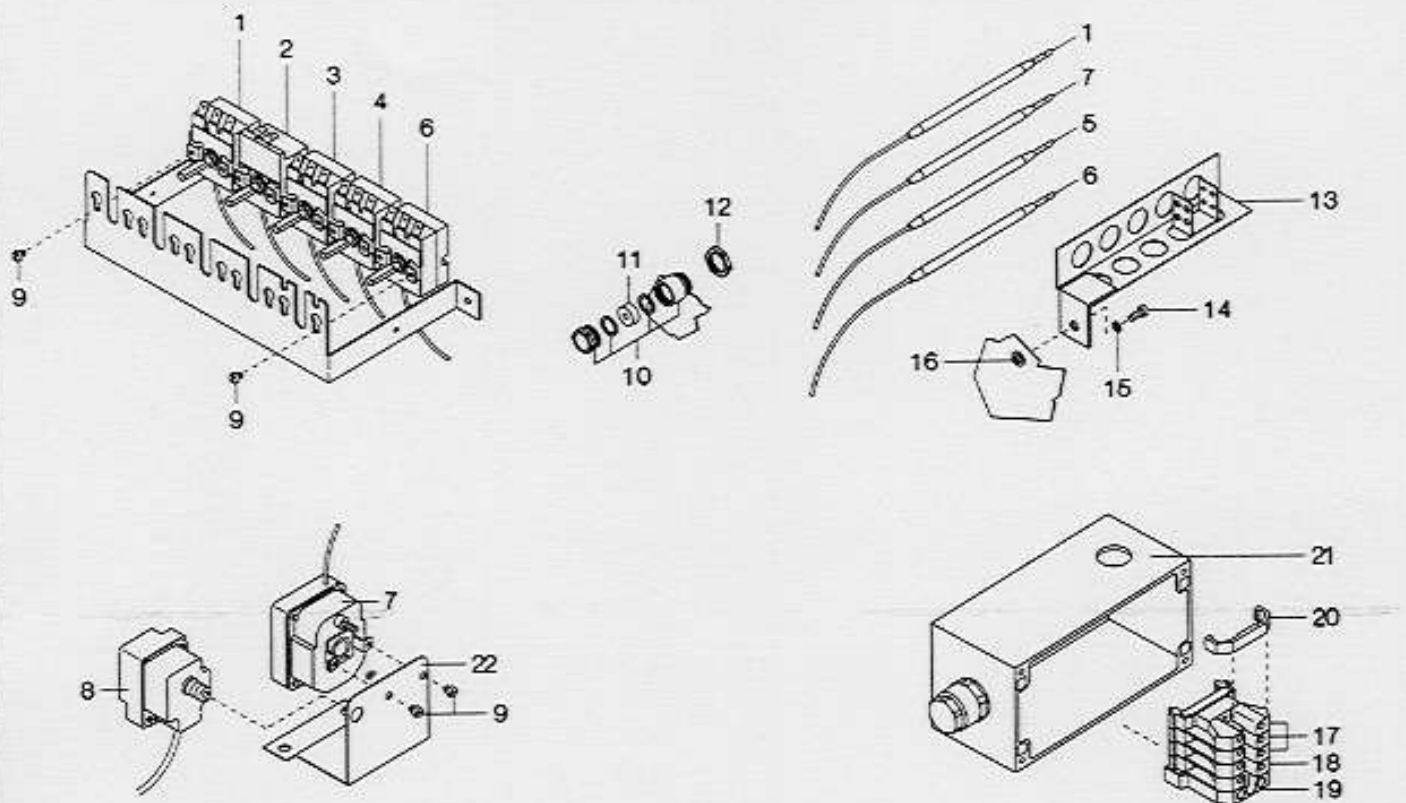
Component Group	Page	Edition	applicable from Serial No.
2	2.2	2.2.2	006 89 10 4001



Pos.	Pcs.	Sp.	Part No.	Description	Sign
1	1		3014.0311	thermostat „unit too hot“	P1
2	1		3014.0314	thermostat steam generator	P3
3	1		3014.0312	thermostat quenching system	P4
4	1		3014.0310	bi-limit safety thermostat	F4
5	10		1004.0060	slotted pan head screw M 4x4	
6	1		4007.0600	terminal block PG9	
7	1		2022.0100	gasket	
8	1		4007.0601	lock nut for cable connection	
9	1		3014.0318	thermostat hot air heating	P5
10	1		8430.7002	holder for thermostat complete	
11	1		1004.0660	hex socket head cap screw M 4x10	
12	1		1204.0120	toothed lock washer A4,3	
13	1		1104.0400	rivet nut M4	
14	3		4001.1209	terminal block grey 16 mm ²	
15	1		4001.1250	terminal block blue 16 mm ²	
16	1		4001.1210	terminal block yellow/green 16 mm ²	
17	4		4001.1213	cover	
18	1		3014.0311	thermostat int. cab. protection	

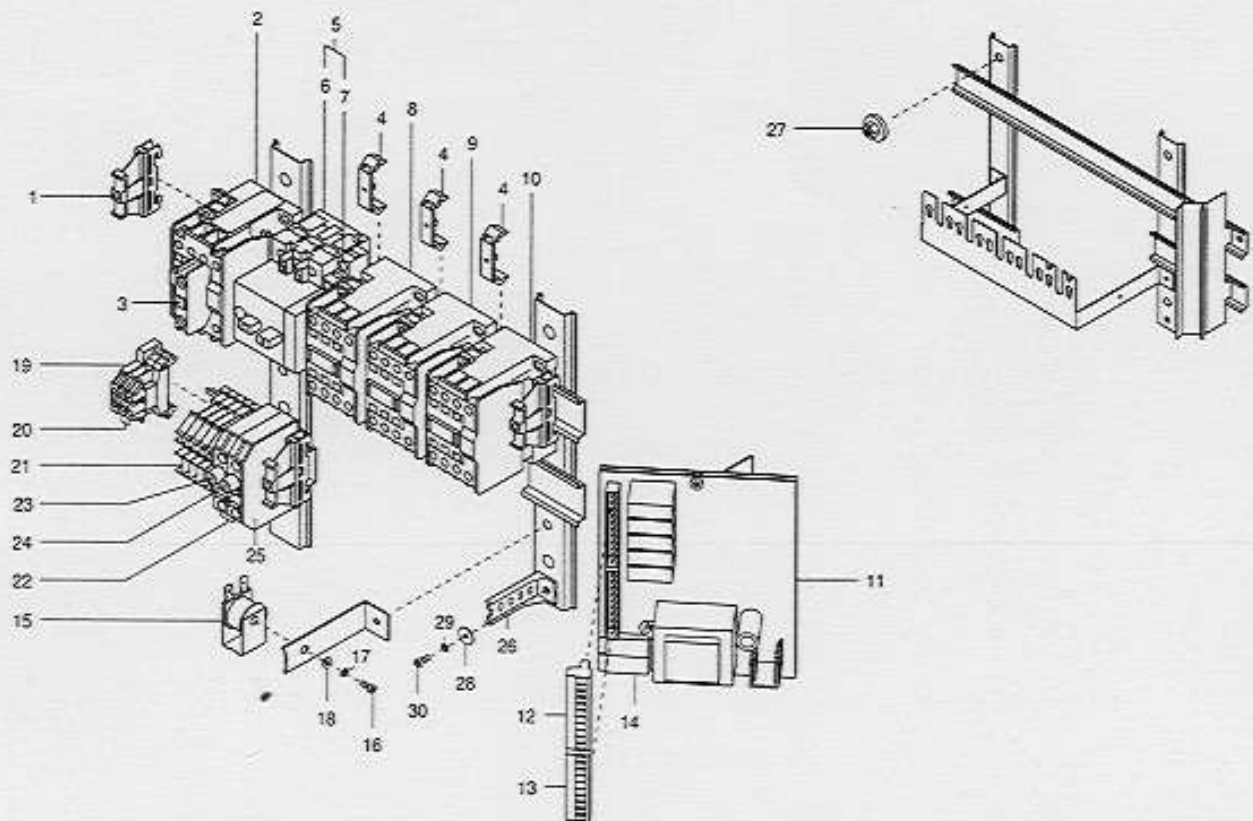
Electrical Installation

Voltage	Group	Page	Edition	Application from Serial. No.
3 N AC 380V 50Hz	2	2.2	2.2.3	00691042001

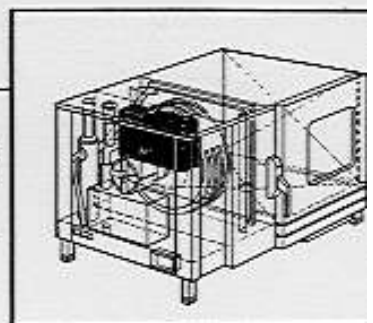


Pos.	Pcs.	Sp. Part No.	Description	Sign.
1	1	3014.0311	thermostat unit too hot	P1
2	1	3014.0155	thermostat bypass	P2
3	1	3014.0314	thermostat preheating	P3
4	1	3014.0312	thermostat quenching system	P4
5	1	3014.0318	thermostat hot air heating	P5
6	1	3014.0311	thermostat int.cab.protection	P6
7	1	3014.0310	bi-limit safety thermostat	F4
8	1	3014.0300	dry up protector	F5
9	12	1004.0060	slotted pan head srew M4x4	
10	1	4007.0600	cable connection PG9	
11		2022.0100	gasket	
12	1	4007.0601	lock nut PG9	
13	1	8430.7002	holder for thermostat cpl.	
14	1	1004.0660	hex socket head screw M4x10	
15	1	1204.0120	toothed lock washer A4,3	
16	1	1104.0400	rivet nut M4	
17	3	4001.1202	terminal block 16mm ² grey	
18	1	4001.1250	terminal block 16mm ² blue	
19	1	4001.1210	terminal block yellow /green 16mm ²	
20	4	4001.1213	cover for terminal block 16mm ²	
21	1	3038.0100	terminal box	
22	1	2520.311089	holding angle	

Elektromontageplatte	Spannung	Baugruppe	Ausgabe	gültig ab Seriennummer
Electrical installation	Voltage	Group	Edition	Applicable from Serial.No.
	3 N AC 400V 50Hz	2	2.1.5	00696011001

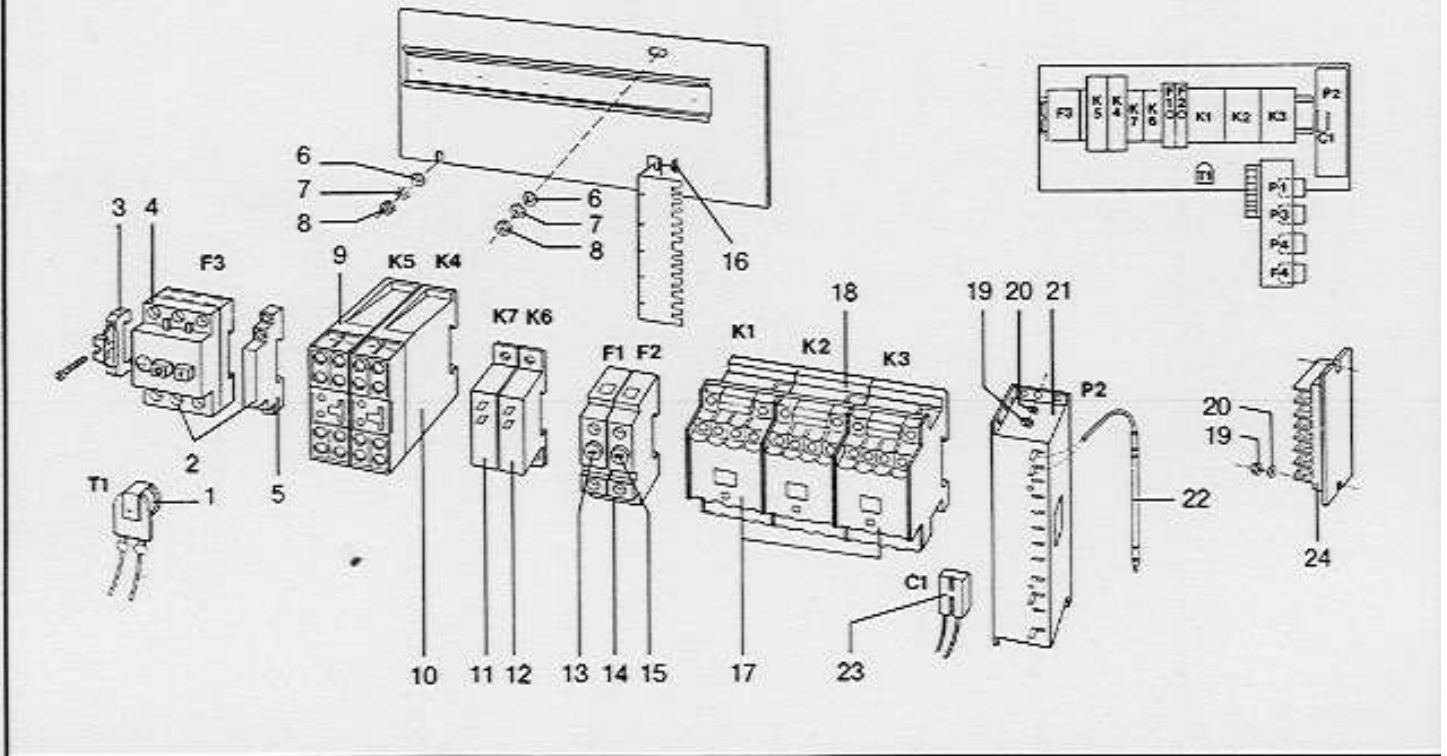


Pos.	St.	Ersatz.Nr.	Bezeichnung	Description
Pos.	Pcs.	Sp. Part No.		
1	3	4001.1203	Endklammer für Tragschiene	End plate for mounting rail
2	1	3028.0506	Schütz LS 04.10 200-240V 50/60Hz	Contacteur LS 04.10 200-240V 50/60 Hz
3	1	3028.0156	Hilfskontakt HS 17.01 Öffner	Auxiliary contact HS 17.01
4	4	4001.1174	Schinenträger	Distance block
5	1	3031.0101	Motorschutzschalter 1-1,6A kpl.	Motor protector 1-1.6A, with auxiliary contact
6	-	3031.0105	Motorschutzschalter 1-1,6A ohne Hilfskontakt	Motor protector PKZM 1-1.6A
7	-	3031.0102	Hilfskontakt NHi 10 für PKZ	Auxiliary contact for motor protector NHI 10
8	1	3028.0507	Schütz LS 4.01 200-240V 50/60Hz	Contacteur LS 04.01 200-240V 50/60Hz
9	1	3028.0508	Schütz LS 17.10 200-240V 50/60Hz	Contacteur LS 17.10 200-240V 50/60Hz
10	1	3028.0508	Schütz LS 17.10 200-240V 50/60Hz	Contacteur LS 17.10 200-240V 50/60Hz
11	1	3002.0408	Regelplatte Wasserstand 220V 50/60Hz	Level control pcb for steam-generator
12	2	3040.0193	Steckerleiste BL11 Platine Wasserstand	Multipoint connector BL11 for water level PCB
13	1	3040.0192	Steckerleiste BL 10 Platine Wasserstand	Multipoint connector BL10 for water level PCB
14	2	3019.0135	Feinsicherung 5x20 0,315A	Fuse 0,315 A
15	1	3006.0101	Alarmsummer, 230 V	Buzzer, 230 V
16	1	1003.0020	Flachkopfschraube M 3x10	Slotted pan head screw M3x10
17	1	1203.0120	Zahnscheibe A3,2	Toothed lock washer A3,2
18	1	1304.0150	Unterlegscheibe A3,2	Washer A3,2
19	1	4001.1222	Erdungsklemme 4qmm	Terminal block yellow/green 4 qmm
20	1	4001.1216	Reihenklemme 4qmm grau	Terminal 4qmm grey
21	5	4001.1176	Reihenverteiler	Terminal block plug type
22	2	4001.1228	Reihen-Sicherungsklemme	Fuse holder terminal block
23	1	3019.0200	Feinsicherung 5x20 6,3A	Fuse 6.3A
24	1	3019.0400	Feinsicherung 5x20 0,5A	Fuse 0,5A
25	1	4001.1227	Endplatte für Reihen-Sicherungsklemme	End plate for fuse holder
26	1	2020.0400	Kabelstammhalter kurz	Cable assy holder short
27	4	1106.0801	Sechskant-Combi-Mutter M6	Hex combination nut M6
28	3	1304.0160	Unterlegscheibe A4,3 DIN125	Washer A4,3 DIN125
29	3	1204.0120	Zahnscheibe A4,3	Toothed lock washer A4,3
30	3	1004.0660	Zylinderschraube mit Innensechskant M4x10	Hex socket head screw M4x10

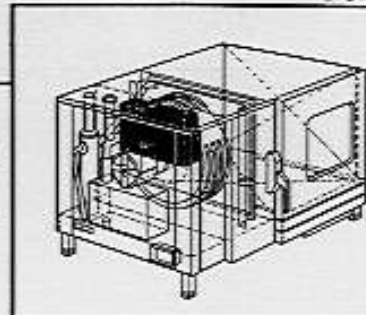


Electrical Installation

Component Group	Page	Edition	applicable from Serial No.
2	2.1	2.1.1	006 86 011061

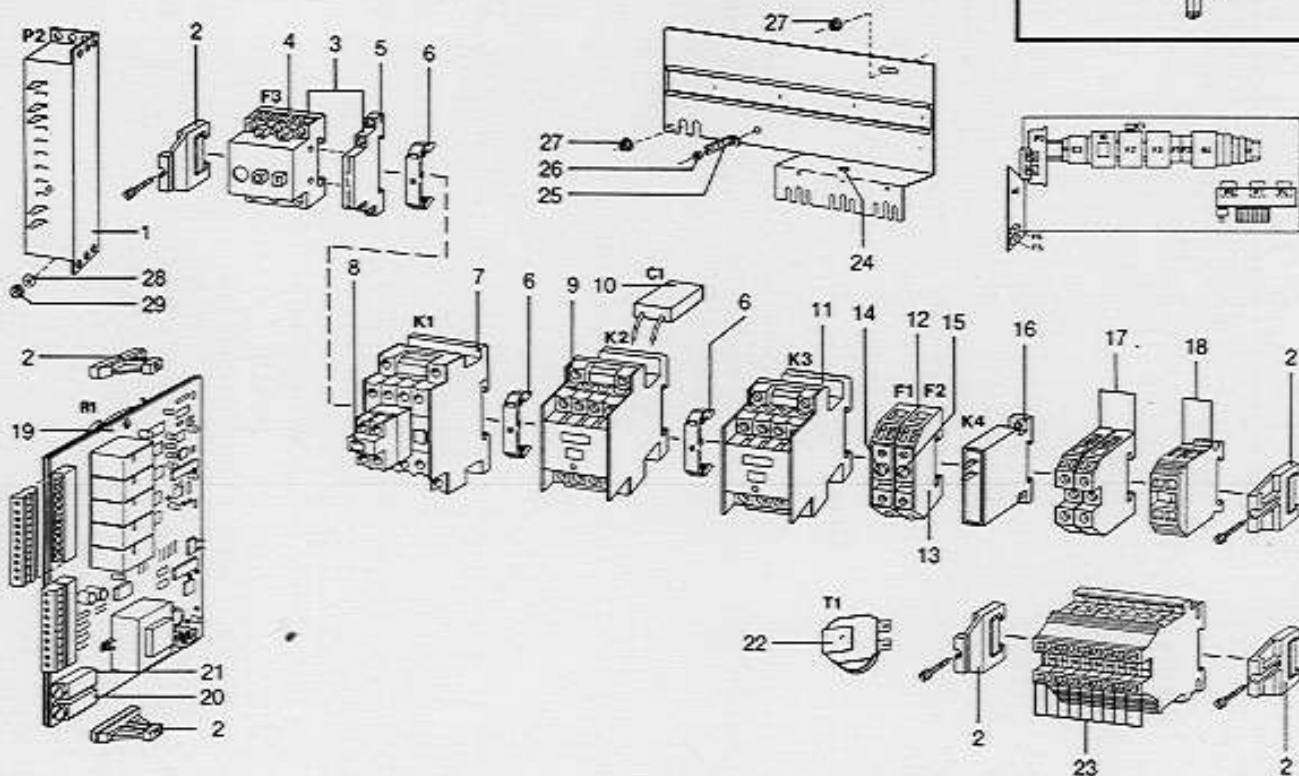


Pos.	Pcs.	Sp. Part No.	Description	Sign
1	1	3006.0101	buzzer	T1
2	1	3031.0101	motor protector with auxiliary contact	
3	3	4001.1201	endplate	
4	1	3031.0106	motor protector	F3
5	1	3031.0102	auxiliary contact for motor protector F3	
6	2	1306.0221	washer A 6,4	
7	2	1206.0120	toothed lock washer A 6,4	
8	2	1106.0160	hex nut M6	
9	1	3035.0401	time relay generator filling	K5
10	1	3035.0402	time relay low water	K4
11	1	3035.0403	time relay – blinker	K6
12	1	3035.0404	time relay 1 sec. start delay	K7
13	1	3019.0200	fuse 6,3 A	
14	2	4001.1228	fuse holder	F1, F2
15	1	3019.0400	fuse 0,5 A	
16	1	4016.0400	grommet	
17	1	3028.0100	contactor steam generator heating	K3
17	1	3028.0100	motor contactor	K1
18	1	3028.0103	contactor for hot air heating	K2
19	4	1103.0120	hex nut M3	
20	4	1304.0150	washer A 3,2	
21	1	3014.0110	solid state steam controller	P2
22	1	3014.0120	temperature sensor for controller P2	
23	1	3035.0508	RC-link	C1
24	1	4001.1175	multi connector	



Electrical Installation

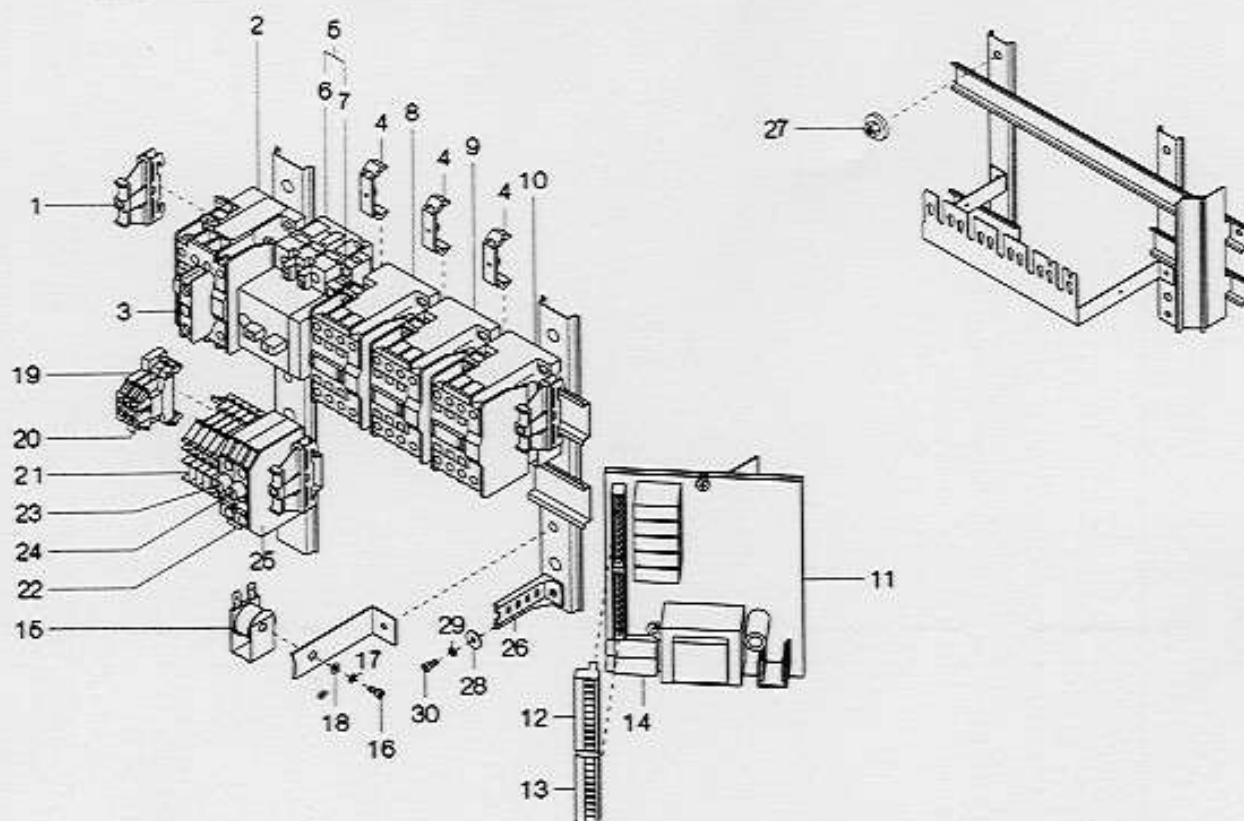
Component Group	Page	Edition	applicable from Serial No.
2	2.1	2.1.3	006 8910 4001



Pos.	Pcs.	Sp.	Part No.	Description	Sign	Pos.	Pcs.	Sp.	Part No.	Description	Sign
1	1		3014.0113	solid state steam controller	P2	26	1		1105.0122	hex-combi-nut M5	
2	6		4001.1203	end plate		27	2		1006.0801	hex-combi-nut M6	
3	1		3031.0101	motor protector with auxiliary contact	F3	28	2		1304.0150	washer A3,2	
4	-		3031.0105	motor protector		29	2		1103.0120	hex nut M3	
5	-		3031.0102	auxiliary contact for motor protector F3							
6	3		4001.1174	distance block							
7	1		3028.0100	motor contactor	K1						
8	1		3028.0151	auxiliary contact for contactor K1							
9	1		3028.0103	contactor for hot air heating	K2						
10	1		3035.0514	RC-link	C1						
11	1		3028.0100	contactor for steam generator heating	K3						
12	2		4001.1228	fuse holder	F1,F2						
13	1		4001.1227	cover for fuse holder							
14	1		3019.0200	fuse 6,3 A	F1						
15	1		3019.0400	fuse 0,5 A	F2						
16	1		3035.0404	time relay	K4						
17	2		4001.1250	1 sec. start delay terminal block blue 16 mm ²							
18	2		4001.1216	terminal block grey 4 mm ²							
19	1		3002.0400	level control pcb	A1						
20	1		3019.0130	fuse 0,315 A	F5						
21	1		3019.0110	fuse 0,1 A	F6						
22	1		3006.0101	alarm buzzer	T1						
23	9		4001.1176	terminal block							
24	1		2022.0105	grommet							
25	1		2020.0400	cable clamp							

Electrical Installation

Voltage	Group	Page	Edition	Application from Serial. No.
3 N AC 380V 50Hz	2	2.1	2.1.4	00691042001



Pos.	Pcs.	Sp.	Part No.	Description	Sign.
1	3		4001.1203	end plate	
2	1		3028.0506	motor contactor	K2
3	1		3028.0156	auxiliary contact for K2	
4	4		4001.1174	distance block	
5	1		3031.0101	motor protector cpl.	F3
6	-		3031.0105	motor protector	
7	-		3031.0102	auxiliary contact for motor protector	
8	1		3028.0507	contactor hot air	K3
9	1		3028.0508	contactor steam generator	K4
10	1		3028.0508	main contactor	K1
11	1		3002.0400	level control pcb	A1
12	1		3040.0193	multipoint connector BL11	
13	1		3040.0192	multipoint connector BL10	
14	2		3019.0130	fuse 0,315A	F6,F7
15	1		3006.0101	alarm buzzer	T1
16	1		1002.0120	screw M3x10	
17	1		1203.0120	toothed lock washer A3,2	
18	1		1304.0150	washer A3,2	
19	1		4001.1222	terminal earth 4mm ²	
20	1		4001.1216	terminal block 4mm ² grey	
21	5		4001.1176	terminal block plug type	
22	2		4001.1128	fuse holder	F1,F2
23	1		3019.0200	fuse 6,3A	F1
24	1		3019.0400	fuse 0,5A	F2
25	1		4001.1227	cover for fuse holder	
26	1		2020.0400	cabl assy holder	
27	4		1006.0801	hex combi nut M6	
28	3		1304.0160	washer A4,3	
29	3		1203.0120	toothed lock washer A4,3	
30	3		1004.0660	hex socket head screw M4x10	

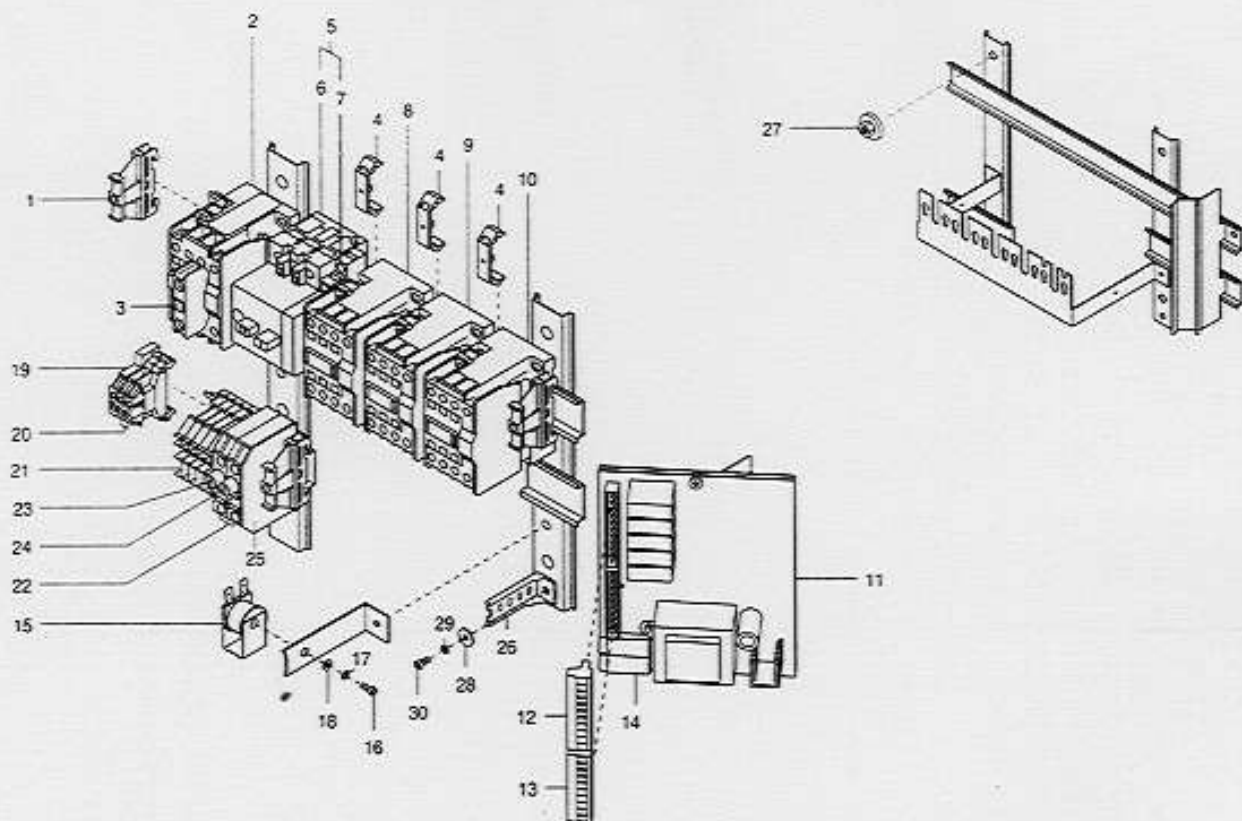
**Elektromontageplatte
Electrical installation**

Spannung
Voltage
3 N AC 400V 50Hz

Baugruppe
Group
2

Ausgabe
Edition
2.1.5

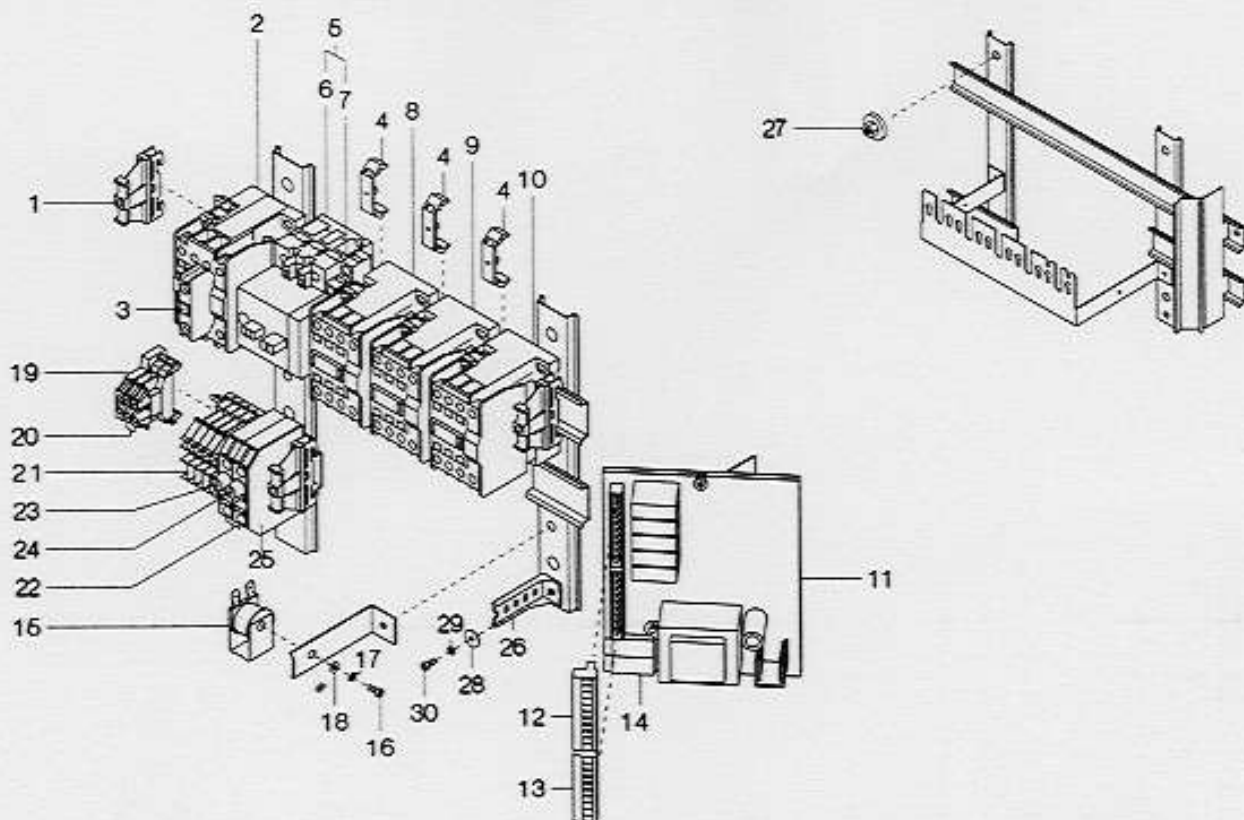
gültig ab Seriennummer
Applicable from Serial.No.
00696011001



Pos.	St.	Ersatz.Nr.	Bezeichnung	Description
Pos.	Pcs.	Sp. Part No.		
1	3	4001.1203	Endklammer für Tragschiene	End plate for mounting rail
2	1	3028.0506	Schütz LS 04.10 200-240V 50/60Hz	Contacteur LS 04.10 200-240V 50/60 Hz
3	1	3028.0156	Hilfskontakt HS 17.01 Öffner	Auxiliary contact HS 17.01
4	4	4001.1174	Schinenträger	Distance block
5	1	3031.0101	Motorschutzschalter 1-1,6A kpl.	Motor protector 1-1.6A, with auxiliary contact
6	-	3031.0105	Motorschutzschalter 1-1,6A ohne Hilfskontakt	Motor protector PKZM 1-1,6A
7	-	3031.0102	Hilfskontakt NHi 10 für PKZ	Auxiliary contact for motor protector NHI 10
8	1	3028.0507	Schütz LS 4.01 200-240V 50/60Hz	Contacteur LS 04.01 200-240V 50/60Hz
9	1	3028.0508	Schütz LS 17.10 200-240V 50/60Hz	Contacteur LS 17.10 200-240V 50/60Hz
10	1	3028.0508	Schütz LS 17.10 200-240V 50/60Hz	Contacteur LS 17.10 200-240V 50/60Hz
11	1	3002.0408	Regelplatte Wasserstand 220V 50/60Hz	Level control pcb for steam-generator
12	2	3040.0193	Steckerleiste BL11 Platine Wasserstand	Multipoint connector BL11 for water level PCB
13	1	3040.0192	Steckerleiste BL 10 Platine Wasserstand	Multipoint connector BL10 for water level PCB
14	2	3019.0135	Feinsicherung 5x20 0,315A	Fuse 0,315 A
15	1	3006.0101	Alarmsummer, 230 V	Buzzer, 230 V
16	1	1003.0020	Flachkopfschraube M 3x10	Slotted pan head screw M3x10
17	1	1203.0120	Zahnscheibe A3,2	Toothed lock washer A3,2
18	1	1304.0150	Unterlegscheibe A3,2	Washer A3,2
19	1	4001.1222	Erdungsklemme 4qmm	Terminal block yellow/green 4 qmm
20	1	4001.1216	Reihen-klemme 4qmm grau	Terminal 4qmm grey
21	5	4001.1176	Reihenverteiler	Terminal block plug type
22	2	4001.1228	Reihen-Sicherungsklemme	Fuse holder terminal block
23	1	3019.0200	Feinsicherung 5x20 6,3A	Fuse 6,3A
24	1	3019.0400	Feinsicherung 5x20 0,5A	Fuse 0,5A
25	1	4001.1227	Endplatte für Reihen-Sicherungsklemme	End plate for fuse holder
26	1	2020.0400	Kabelstammhalter kurz	Cable assy holder short
27	4	1106.0801	Sechskant-Combi-Mutter M6	Hex combination nut M6
28	3	1304.0160	Unterlegscheibe A4,3 DIN125	Washer A4,3 DIN125
29	3	1204.0120	Zahnscheibe A4,3	Toothed lock washer A4,3
30	3	1004.0660	Zylinderschraube mit Innensechskant M4x10	Hex socket head screw M4x10

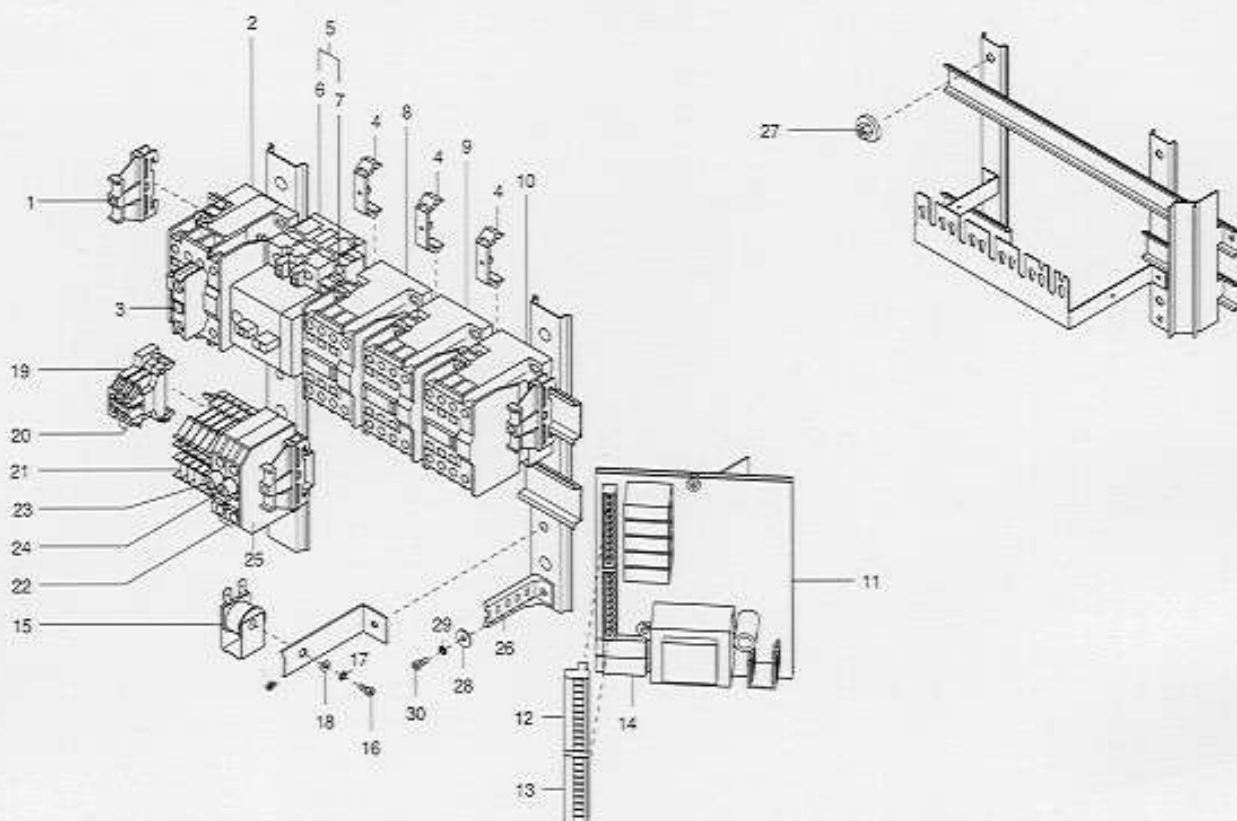
Electrical Installation

Voltage	Group	Page	Edition	Application from Serial. No.
3 N AC 380V 50Hz	2	2.1	2.1.4	00691042001



Pos.	Pcs.	Sp.	Part No.	Description	Sign.
1	3		4001.1203	end plate	
2	1		3028.0506	motor contactor	K2
3	1		3028.0156	auxiliary contact for K2	
4	4		4001.1174	distance block	
5	1		3031.0101	motor protector cpl.	F3
6	-		3031.0105	motor protector	
7	-		3031.0102	auxiliary contact for motor protector	
8	1		3028.0507	contactor hot air	K3
9	1		3028.0508	contactor steam generator	K4
10	1		3028.0508	main contactor	K1
11	1		3002.0400	level control pcb	A1
12	1		3040.0193	multipoint connector BL11	
13	1		3040.0192	multipoint connector BL10	
14	2		3019.0130	fuse 0,315A	F6,F7
15	1		3006.0101	alarm buzzer	T1
16	1		1002.0120	screw M3x10	
17	1		1203.0120	toothed lock washer A3,2	
18	1		1304.0150	washer A3,2	
19	1		4001.1222	terminal earth 4mm ²	
20	1		4001.1216	terminal block 4mm ² grey	
21	5		4001.1176	terminal block plug type	
22	2		4001.1128	fuse holder	F1,F2
23	1		3019.0200	fuse 6,3A	F1
24	1		3019.0400	fuse 0,5A	F2
25	1		4001.1227	cover for fuse holder	
26	1		2020.0400	cable assy holder	
27	4		1006.0801	hex combi nut M6	
28	3		1304.0160	washer A4,3	
29	3		1203.0120	toothed lock washer A4,3	
30	3		1004.0660	hex socket head screw M4x10	

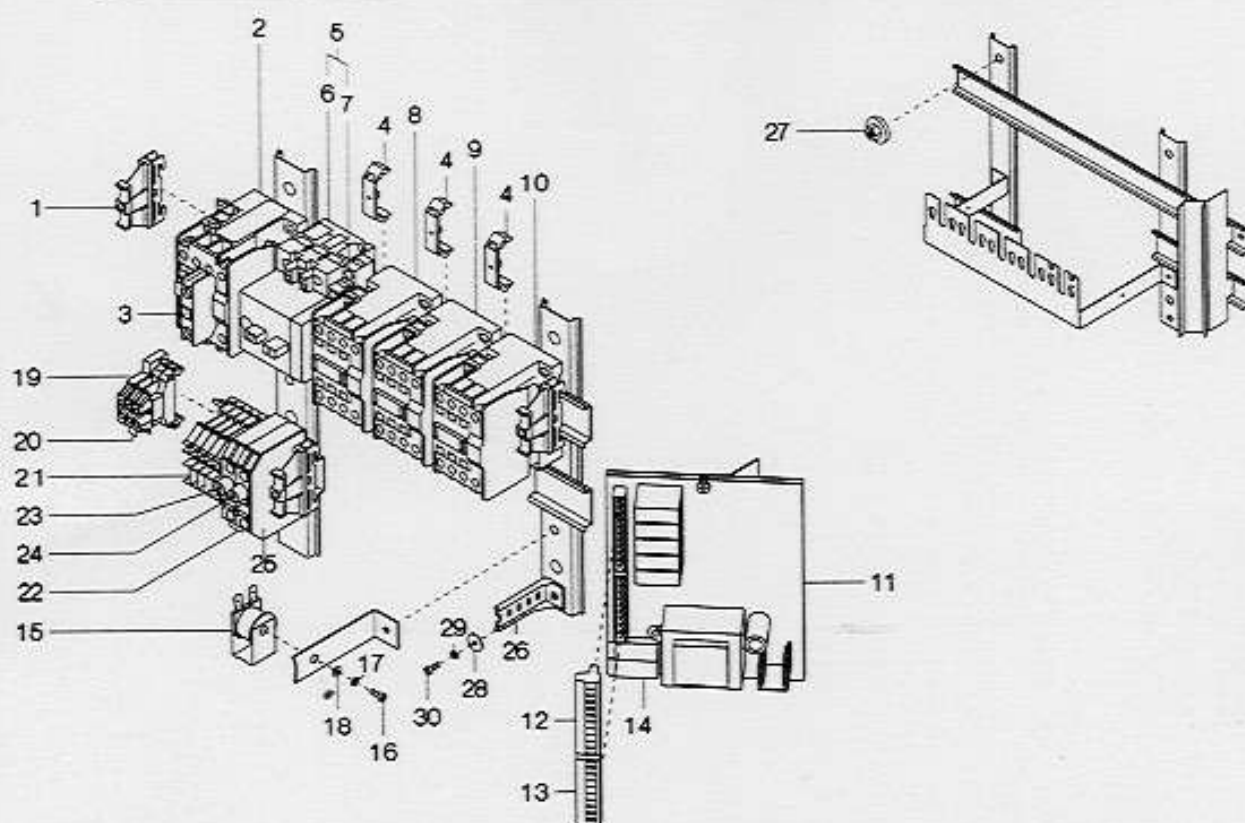
Elektromontageplatte Electrical installation	Spannung Voltage	Baugruppe Group	Ausgabe Edition	gültig ab Seriennummer Applicable from Serial.No.
	3 N AC 400V 50Hz	2	2.1.5	00696011001



Pos.	St.	Ersatz.Nr.	Bezeichnung	Description
Pos.	Pcs.	Sp. Part No.		
1	3	4001.1203	Endklammer für Tragschiene	End plate for mounting rail
2	1	3028.0506	Schütz LS 04.10 200-240V 50/60Hz	Contacteur LS 04.10 200-240V 50/60 Hz
3	1	3028.0156	Hilfskontakt HS 17.01 Öffner	Auxiliary contact HS 17.01
4	4	4001.1174	Schinenträger	Distance block
5	1	3031.0101	Motorschutzschalter 1-1,6A kpl.	Motor protector 1-1.6A, with auxiliary contact
6	-	3031.0105	Motorschutzschalter 1-1,6A ohne Hilfskontakt	Motor protector PKZM 1-1,6A
7	-	3031.0102	Hilfskontakt NHi 10 für PKZ	Auxiliary contact for motor protector NHI 10
8	1	3028.0507	Schütz LS 4.01 200-240V 50/60Hz	Contacteur LS 04.01 200-240V 50/60Hz
9	1	3028.0508	Schütz LS 17.10 200-240V 50/60Hz	Contacteur LS 17.10 200-240V 50/60Hz
10	1	3028.0508	Schütz LS 17.10 200-240V 50/60Hz	Contacteur LS 17.10 200-240V 50/60Hz
11	1	3002.0408	Regelplatine Wasserstand 220V 50/60Hz	Level control pcb for steam-generator
12	2	3040.0193	Steckerleiste BL11 Platine Wasserstand	Multipoint connector BL11 for water level PCB
13	1	3040.0192	Steckerleiste BL 10 Platine Wasserstand	Multipoint connector BL10 for water level PCB
14	2	3019.0135	Feinsicherung 5x20 0,315A	Fuse 0,315 A
15	1	3006.0101	Alarmsummer, 230 V	Buzzer, 230 V
16	1	1003.0020	Flachkopfschraube M 3x10	Slotted pan head screw M3x10
17	1	1203.0120	Zahnscheibe A3,2	Toothed lock washer A3,2
18	1	1304.0150	Unterlegscheibe A3,2	Washer A3,2
19	1	4001.1222	Erdungsklemme 4qmm	Terminal block yellow/green 4 qmm
20	1	4001.1216	Reihen-klemme 4qmm grau	Terminal 4qmm grey
21	5	4001.1176	Reihenverteiler	Terminal block plug type
22	2	4001.1228	Reihen-Sicherungsklemme	Fuse holder terminal block
23	1	3019.0200	Feinsicherung 5x20 6,3A	Fuse 6,3A
24	1	3019.0400	Feinsicherung 5x20 0,5A	Fuse 0,5A
25	1	4001.1227	Endplatte für Reihen-Sicherungsklemme	End plate for fuse holder
26	1	2020.0400	Kabelstammhalter kurz	Cable assy holder short
27	4	1106.0801	Sechskant-Combi-Mutter M6	Hex combination nut M6
28	3	1304.0160	Unterlegscheibe A4,3 DIN125	Washer A4,3 DIN125
29	3	1204.0120	Zahnscheibe A4,3	Toothed lock washer A4,3
30	3	1004.0660	Zylinderschraube mit Innensechskant M4x10	Hex socket head screw M4x10

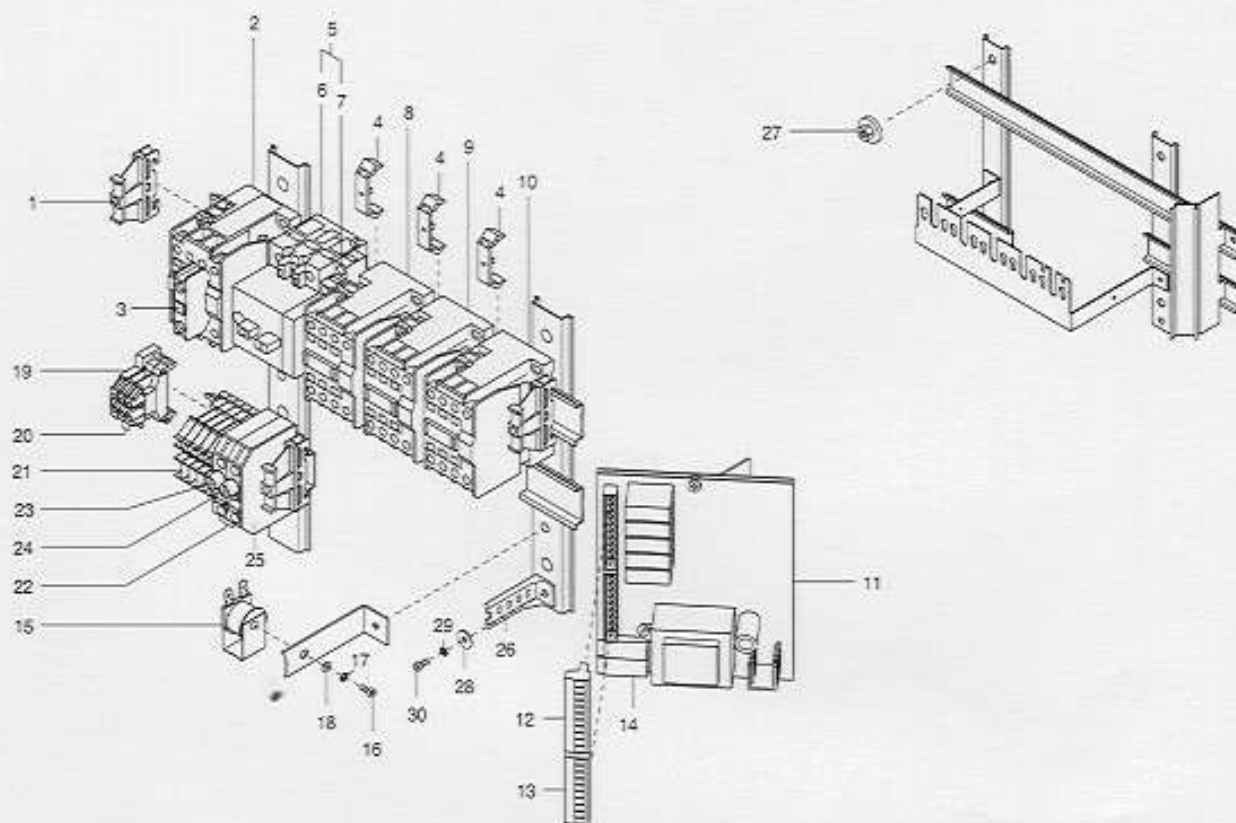
Electrical Installation

Voltage	Group	Page	Edition	Application from Serial. No.
3 N AC 380V 50Hz	2	2.1	2.1.4	00691042001

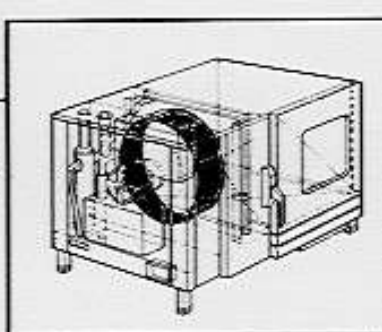


Pos.	Pcs.	Sp.	Part No.	Description	Sign.
1	3		4001.1203	end plate	
2	1		3028.0506	motor contactor	K2
3	1		3028.0156	auxiliary contact for K2	
4	4		4001.1174	distance block	
5	1		3031.0101	motor protector cpl.	F3
6	-		3031.0105	motor protector	
7	-		3031.0102	auxiliary contact for motor protector	
8	1		3028.0507	contactor hot air	K3
9	1		3028.0508	contactor steam generator	K4
10	1		3028.0508	main contactor	K1
11	1		3002.0400	level control pcb	A1
12	1		3040.0193	multipoint connector BL11	
13	1		3040.0192	multipoint connector BL10	
14	2		3019.0130	fuse 0,315A	F6,F7
15	1		3006.0101	alarm buzzer	T1
16	1		1002.0120	screw M3x10	
17	1		1203.0120	toothed lock washer A3,2	
18	1		1304.0150	washer A3,2	
19	1		4001.1222	terminal earth 4mm ²	
20	1		4001.1216	terminal block 4mm ² grey	
21	5		4001.1176	terminal block plug type	
22	2		4001.1128	fuse holder	F1,F2
23	1		3019.0200	fuse 6,3A	F1
24	1		3019.0400	fuse 0,5A	F2
25	1		4001.1227	cover for fuse holder	
26	1		2020.0400	cable assy holder	
27	4		1006.0801	hex combi nut M6	
28	3		1304.0160	washer A4,3	
29	3		1203.0120	toothed lock washer A4,3	
30	3		1004.0660	hex socket head screw M4x10	

Elektromontageplatte	Spannung	Baugruppe	Ausgabe	gültig ab Seriennummer
Electrical installation	Voltage	Group	Edition	Applicable from Serial.No.
	3 N AC 400V 50Hz	2	2.1.5	00696011001

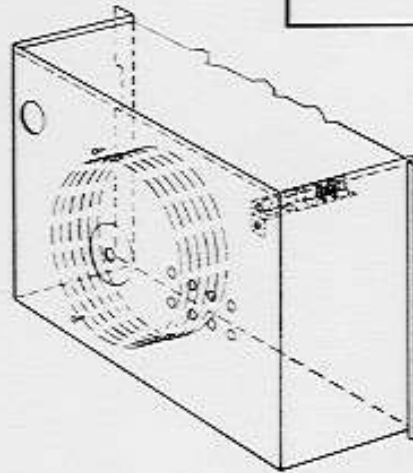
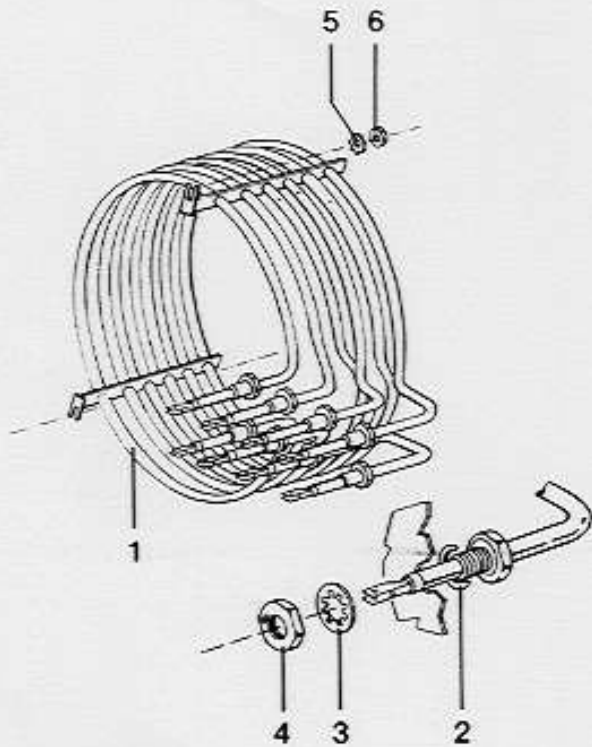


Pos.	St.	Ersatz.Nr.	Bezeichnung	Description
Pos.	Pcs.	Sp. Part No.		
1	3	4001.1203	Endklammer für Tragschiene	End plate for mounting rail
2	1	3028.0506	Schütz LS 04.10 200-240V 50/60Hz	Contacteur LS 04.10 200-240V 50/60 Hz
3	1	3028.0156	Hilfskontakt HS 17.01 Öffner	Auxiliary contact HS 17.01
4	4	4001.1174	Schinenträger	Distance block
5	1	3031.0101	Motorschutzschalter 1-1,6A kpl.	Motor protector 1-1.6A, with auxiliary contact
6	-	3031.0105	Motorschutzschalter 1-1,6A ohne Hilfskontakt	Motor protector PKZM 1-1,6A
7	-	3031.0102	Hilfskontakt NHi 10 für PKZ	Auxiliary contact for motor protector NHI 10
8	1	3028.0507	Schütz LS 4.01 200-240V 50/60Hz	Contacteur LS 04.01 200-240V 50/60Hz
9	1	3028.0508	Schütz LS 17.10 200-240V 50/60Hz	Contacteur LS 17.10 200-240V 50/60Hz
10	1	3028.0508	Schütz LS 17.10 200-240V 50/60Hz	Contacteur LS 17.10 200-240V 50/60Hz
11	1	3002.0408	Regelplatine Wasserstand 220V 50/60Hz	Level control pcb for steam-generator
12	2	3040.0193	Steckerleiste BL11 Platine Wasserstand	Multipoint connector BL11 for water level PCB
13	1	3040.0192	Steckerleiste BL 10 Platine Wasserstand	Multipoint connector BL10 for water level PCB
14	2	3019.0135	Feinsicherung 5x20 0,315A	Fuse 0,315 A
15	1	3006.0101	Alarmsummer, 230 V	Buzzer, 230 V
16	1	1003.0020	Flachkopfschraube M 3x10	Slotted pan head screw M3x10
17	1	1203.0120	Zahnscheibe A3,2	Toothed lock washer A3,2
18	1	1304.0150	Unterlegscheibe A3,2	Washer A3,2
19	1	4001.1222	Erdungsklemme 4qmm	Terminal block yellow/green 4 qmm
20	1	4001.1216	Reihen клемme 4qmm grau	Terminal 4qmm grey
21	5	4001.1176	Reihenverteiler	Terminal block plug type
22	2	4001.1228	Reihen-Sicherungsklemme	Fuse holder terminal block
23	1	3019.0200	Feinsicherung 5x20 6,3A	Fuse 6,3A
24	1	3019.0400	Feinsicherung 5x20 0,5A	Fuse 0,5A
25	1	4001.1227	Endplatte für Reihen-Sicherungsklemme	End plate for fuse holder
26	1	2020.0400	Kabelstammhalter kurz	Cable assy holder short
27	4	1106.0801	Sechskant-Combi-Mutter M6	Hex combination nut M6
28	3	1304.0160	Unterlegscheibe A4,3 DIN125	Washer A4,3 DIN125
29	3	1204.0120	Zahnscheibe A4,3	Toothed lock washer A4,3
30	3	1004.0660	Zylinderschraube mit Innensechskant M4x10	Hex socket head screw M4x10



Hot Air Heating

Component Group	Page	Edition	applicable from Serial No.
5	5.1	5.1.1	006 86 011061

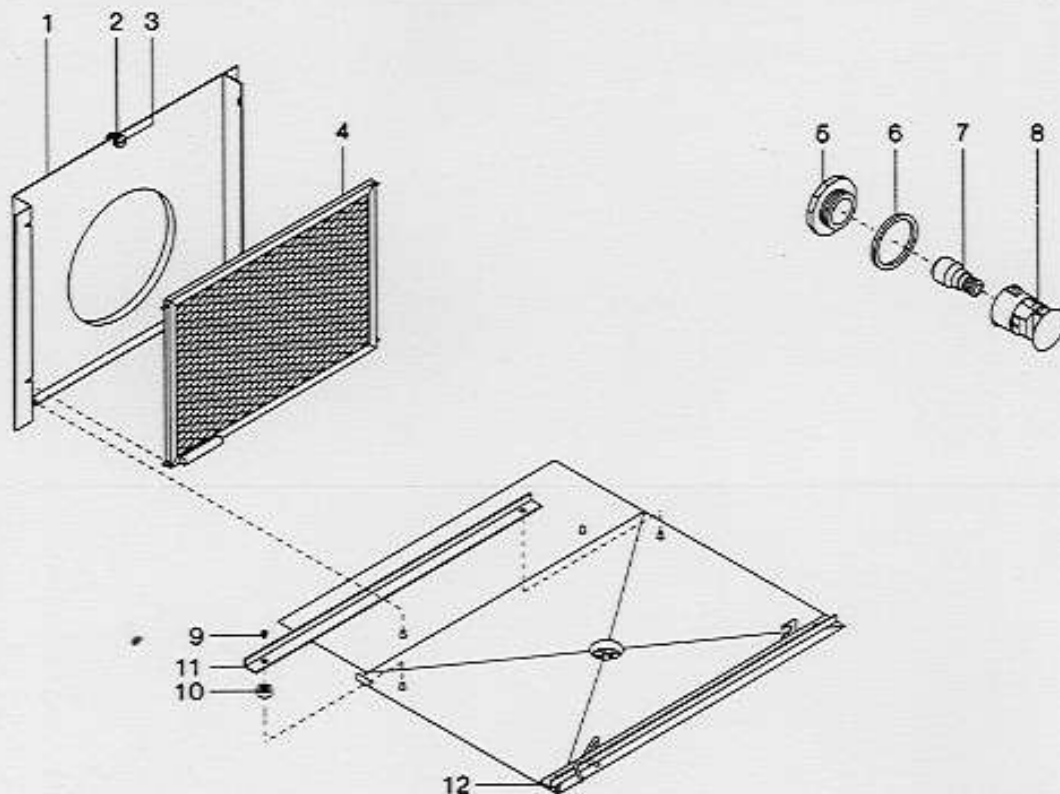


Pos.	Pcs.	Sp.	Part No.	Description	Sign
1	1		3004.3507	heating element 9 kW	
2	8		3004.1404	copper washer	
3	8		3004.1405	toothed lock washer	
4	8		3004.1406	hex nut M 14	
5	2		1206.0120	toothed lock washer A 6,4	
6	2		1106.0160	hex nut M 6	

Note: heating elements are delivered with positions 2, 3 and 4.

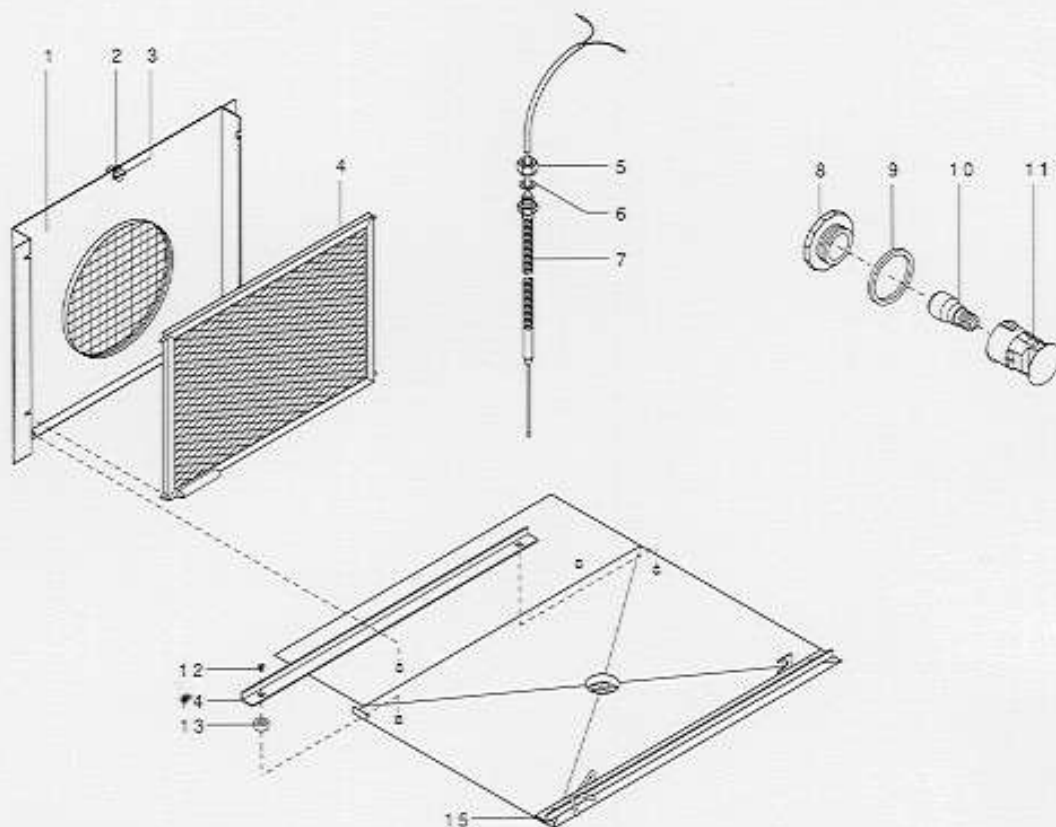
Interior Cabinet

Voltage	Group	Page	Edition	Application from Serial. No.
3 N AC 380V 50Hz	7	7.1	7.1.3	00691042001

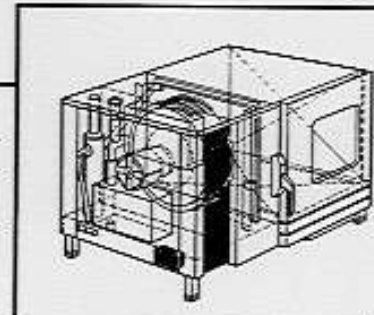


Pos.Pcs.	Sp.	Part No.	Description	Sign.
-	2	3023.0501	interior lamp cpl.	
1	1	8011.1105	air baffle cpl.	
2	1	2043.0203	holder plate for quick acting closure	
3	1	2043.0201	locking pin	
4	1	2010.0905	fat filter	
5	2	3025.0002	lamp lens	
6	2	5012.0535	gasket	
7	2	3024.0200	bulb, heat resistant	
8	2	3023.0506	socket for interior lamp	H1,H2
9	4	1005.0467	countersunk screw with slot M5x8	
10	4	2031.1000	spacer	
11	1	8400.0160	rail left	
12	1	8400.0162	rail right	

Garraum Interior cabinett	Spannung Voltage	Baugruppe Group	Ausgabe Edition	gültig ab Seriennummer Applicable from Serial.No.
	3 N AC 400V 50Hz	7	7.1.4	00696011001

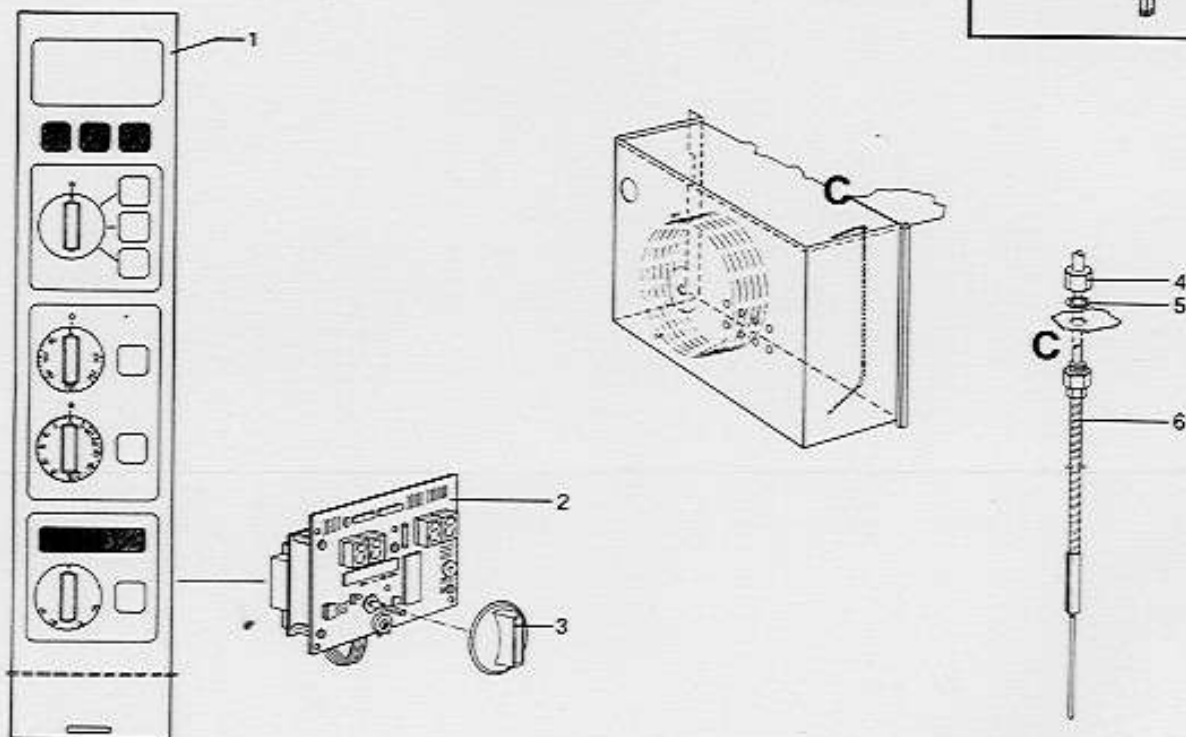


Pos.	St.	Ersatz.Nr.	Bezeichnung	Description
Pos.	Pcs.	Sp. Part No.		
-	1	3023.0501	Garraumbeleuchtung kpl.	Interior lamp cpl.
1	1	8011.1210	Trichterblech kpl.	Air baffle cpl.
2	1	2043.0203	Haltescheibe Luftleitblech	Holder plate air baffle
3	1	2043.0201	Verschlußbolzen Luftleitblech	Locking pin air baffle
4	1	2010.0905	Fettfilter Typ 6	Fat filter type 6
5	1	1112.0160	Sechskantmutter M12	Hex nut M12
6	1	3035.0606	Kupferdichtung für Einstechfühler	Copper gasket for meat probe sensor
7	1	3035.0623	Einstechfühler Typ 6	Meat probe sensor type 6
8	2	3025.0002	Lampenglas Garraumbeleuchtung	Lamp lens
9	2	5012.0535	Dichtring Garraumbeleuchtung	Gasket lamp lens
10	2	3024.0200	Glühlampe hitzebeständig 200-240V	Bulb-heat resistant 200-240V
11	2	3023.0506	Lampenfassung Garraumbeleuchtung	Socket for interior lamp
12	4	1005.0467	Senkschraube mit Schlitz M5x8	Slotted countersunk screw M5x8
13	4	2031.1000	Distanzscheibe für HGW-Führungsschiene	Spacer for mobile oven rack guide rail
14	1	8400.0160	Führungsschiene links	Rail left
15	1	8400.0162	Führungsschiene rechts	Rail right



Core Temperature / Meat Probe

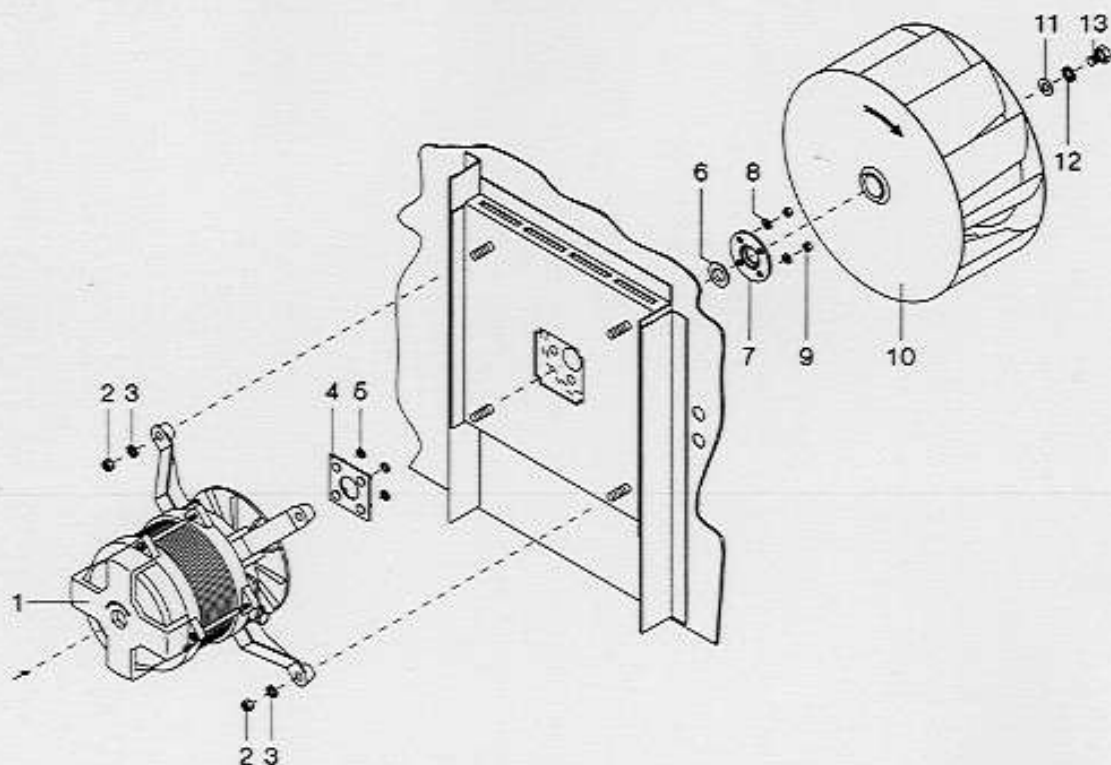
Component Group	Page	Edition	applicable from Serial No.
3	3.1	3.1.1	006 89 10 4001



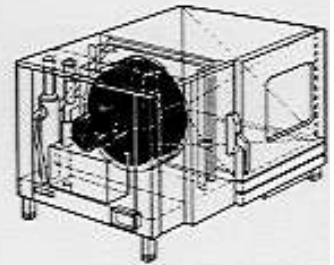
Pos.	Pcs.	Sp. Part No.	Description	Sign
1	1	2049.0750	control panel with core temperature	
2	1	3035.0630	meat probe controller	A2
3	1	3013.0114	dial for meat probe controller	
4	1	1112.0160	hex nut M12	
5	1	3035.0606	copper washer	
6	1	3035.0623	meat probe sensor	E1
-	1	3040.0173	multipoint connector 6 pin	
-	1	3040.0172	multipoint connector 2 pin	

Motor and Fan Wheel

Voltage	Group	Page	Edition	Application from Serial. No.
3 N AC 380V 50Hz	6	6.1	6.1.2	00691042001

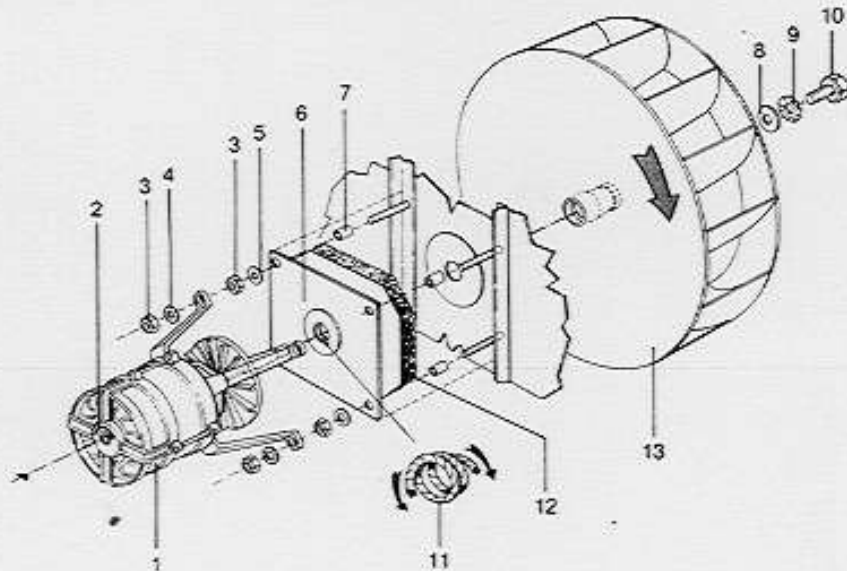


Pos.	Pcs.	Sp. Part No.	Description	Sign.
1	1	3001.0426	motor	M1
2	4	1108.0260	hex nut M8	
3	4	1208.0160	toothed lock washer A8,4	
4	1	8506.0104	holding plate motor	
			shaft gasket	
5	4	1315.0101	copper washer	
6	1	5001.0207	motor gasket	
7	1	2016.0876	gasket flange	
8	4	1306.0120	washer A6,4	
9	4	1106.0220	hex nut M6 flat	
10	1	2012.0602	fan wheel	
11	1	1310.0160	washer A10,5	
12	1	1210.0160	toothed lock washer A10,5	
13	1	1010.0760	hex screw M10x16	

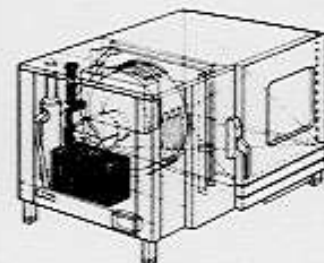


Motor and Fan Wheel

Component Group	Page	Edition	applicable from Serial No.
6	6.1	6.1.1	006 86 011061

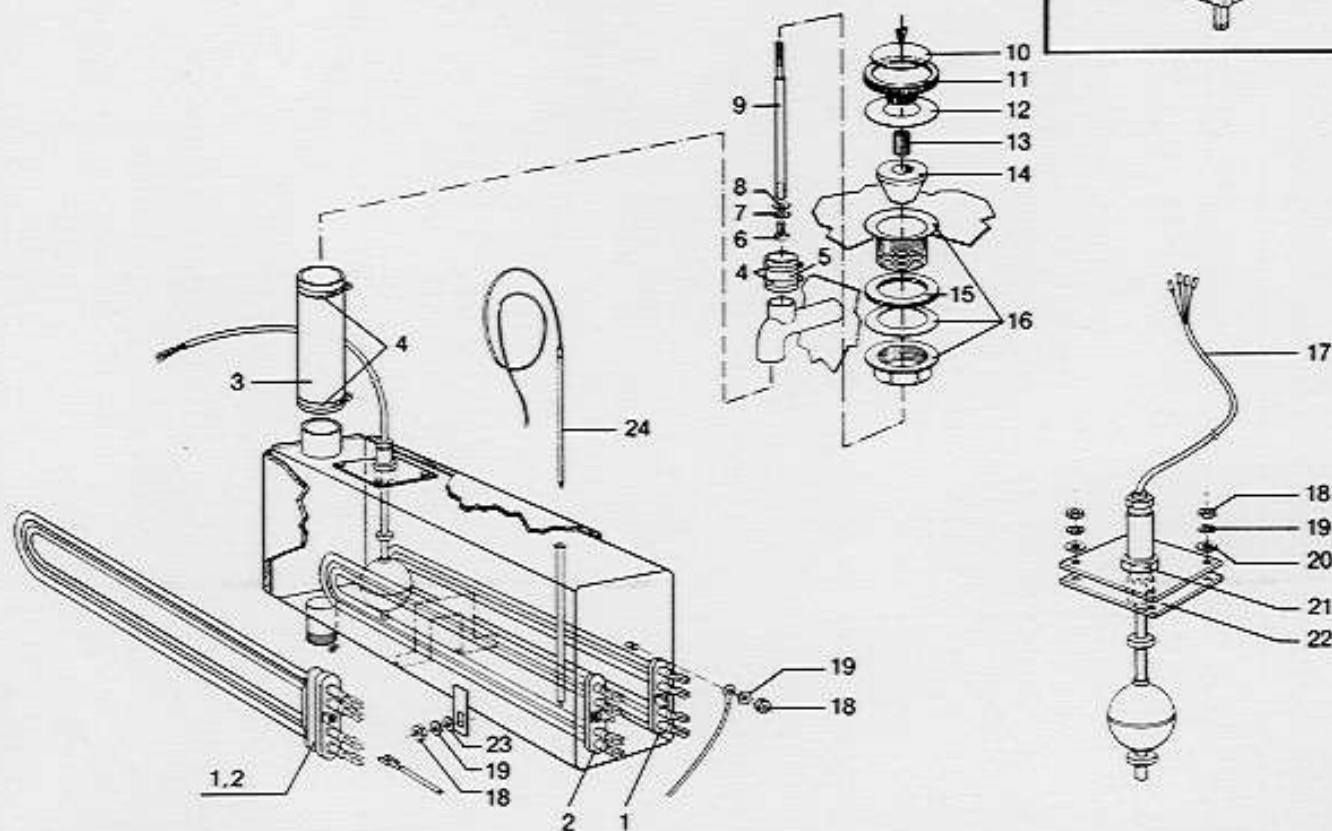


Pos.	Pcs.	Sp. Part No.	Description	Sign
1	1	3001.0400	motor	
2	1	4019.0012	label direction of fan rotation	
3	8	1108.0260	hex nut M8	
4	4	1208.0160	toothed lock washer A 8,4	
5	4	1308.0561	washer \varnothing 9mm	
6	1	8006.8008	motor shaft packing complete	
7	4	2016.0848	spacer	
8	1	1310.0160	washer A 10,5	
9	1	1210.0160	toothed lock washer A 10,5	
10	1	1010.0760	hex screw M 10x16	
11	1	5002.0300	rope packing, greased	
12	1	5009.0100	insulation plate 200x205x20 mm	
13	1	2012.0602	fan wheel complete (with pos. 8-10)	



Steam Generator

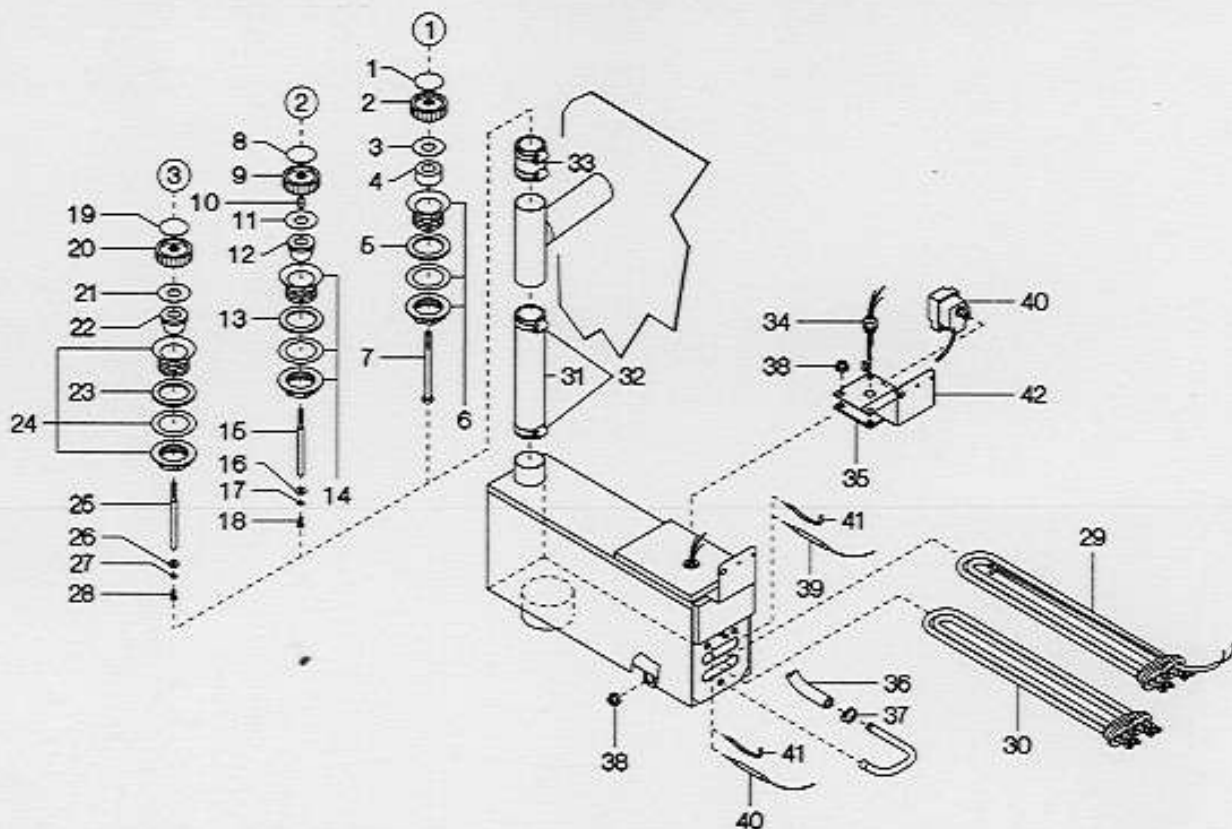
Component Group	Page	Edition	applicable from Serial No.
4	4.1	4.1.1	006 86 011061



Pos.	Pcs.	Sp.	Part No.	Description	Sign
-	1		8300.0004	steam generator complete	
-	1		8404.4000	safety valve complete (pos. 6 - 16)	
1	1		3004.3505	heating element 2x3 kW	
2	1		3004.3506	heating element 2x1,5 kW	
3	1		2067.0203	steam hose 200 mm long	
4	4		2066.0504	hose clamp 40-60 mm	
5	1		2067.0201	steam hose 50 mm long	
6	1		1005.0660	hex socket head cap screw M 5x12	
7	1		1205.0360	spring washer	
8	1		1305.0260	washer A 5,3	
9	1		2026.0400	guide bar	
10	1		2049.0800	cover plate, aluminium	
11	1		2020.0300	plastic handle for safety valve	
12	1		5012.0526	gasket	
13	1		2026.0300	thread insert	
14	1		2026.0200	cone for safety valve	
15	1		5012.0527	gasket	
16	1		2064.0100	valve body	
17	1		3016.1201	level switch	S4
18	6		1106.0160	hex nut M6	
19	6		1206.0120	toothed lock washer A 6,4	
20	4		1306.0120	washer A 6,4	
21	1		2040.0101	hex nut G 3/8"	
22	1		5012.0528	gasket	
23	1		1306.0221	washer A 6,4	
24	1		3014.0314	thermostat steam generator	P3

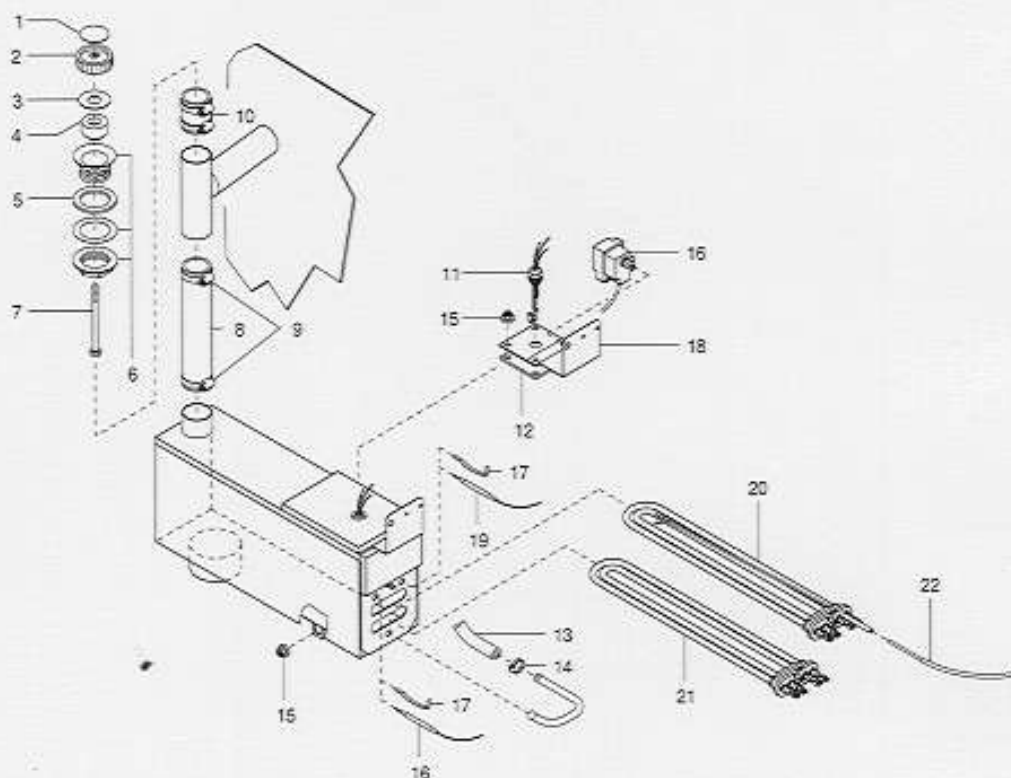
Steam Generator

Voltage	Group	Page	Edition	Application from Serial. No.
3 N AC 380V 50Hz	4	4.1	4.1.3	00691042001



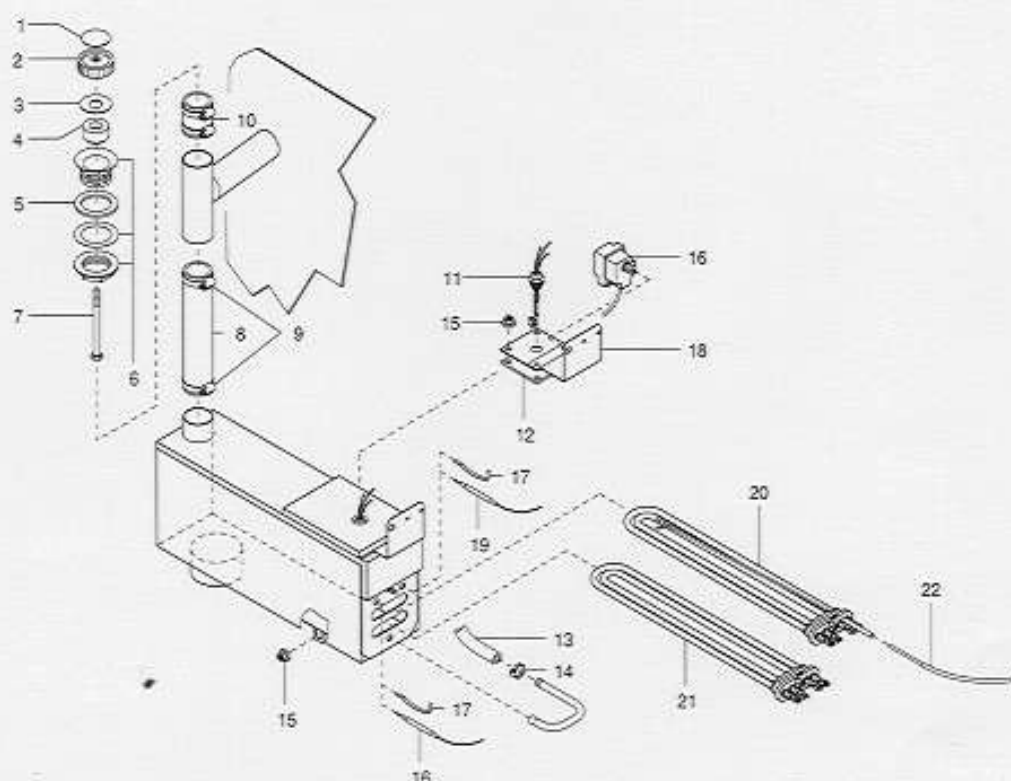
Pos.Pcs.	Sp. Part No.	Description	Sign.	Pos.Pcs.	Sp. Part No.	Description	Sign.
-	1	8404.4000	safety valve cpl. (version 1)	-	1	8300.0086	steam generator cpl.
version 1				29	1	3004.4307	heating element 2x3kW thermocouple
1	1	2049.0800	cover plate, aluminium	30	1	3004.4306	heating element 2x1,5kW
2	1	2020.0301	plastic handle	31	1	2067.0203	steam hose 200mm long
3	1	5012.0526	gasket	32	4	2066.0504	hose clamp 40-60mm
4	1	2026.0201	cone	33	1	2067.0201	steam hose 50mm long
5	1	5012.0527	gasket	34	1	3002.0401	filling-level electrode 70mm
6	1	2064.0100	valve body	35	1	5012.0537	gasket
7	1	1008.0764	hex screw M8x110	36	1	2067.0162	pressure hose 1370mm long
version 2				37	1	2062.0205	hose clamp 12-18mm
8	1	2049.0800	cover plate, aluminium	38	1	1106.0801	hex-combi-nut M6
9	1	2020.0301	plastic handle	39	1	3014.0314	thermostat preheating steam generator
10	1	2026.0301	plastic insert	40	1	3014.0300	dry up protector
11	1	5012.0526	gasket	41	2	2544.101230	clamping plate
12	1	2026.0201	cone	42	1	2520.311089	holding angle
13	1	5012.0527	gasket				
14	1	2064.0100	valve body				
15	1	2026.0400	guide bar				
16	1	1305.0260	washer A5,3				
17	1	1205.0360	spring washer A5,3				
18	1	1005.0660	hex socked head screw M5x12				
version 3							
19	1	2049.0800	cover plate, aluminium				
20	1	2020.0300	plastic handle				
21	1	5012.0526	gasket				
22	1	2026.0201	cone				
23	1	5012.0527	gasket				
24	1	2064.0100	valve body				
25	1	2026.0400	guide bar				
26	1	1305.0260	washer A5,3				
27	1	1205.0360	spring washer A5,3				
28	1	1005.0660	hex socked head screw M5x12				

Dampfgenerator Steam generator	Spannung Voltage	Baugruppe Group	Ausgabe Edition	gültig ab Seriennummer Applicable from Serial.No.
	3 N AC 400V 50Hz	4	4.1.4	00696011001



Pos.	St.	Ersatz.Nr.	Bezeichnung	Description
Pos.	Pcs.	Sp. Part No.		
-	1	8300.0086	SC-Dampfgenerator kpl.	SC-steam generator cpl.
-	1	8404.4000	Sicherheitsventil kpl.	Safety valve complete
1	1	2049.0800	Alu-Deckschild für Sicherheitsventil	Cover plate aluminum for safety valve
2	1	2020.0301	Griffscheibe Sicherheitsventil	Plastic-handle for safety-valve
3	1	5012.0526	Dichtung für Sicherheitsventil	Gasket for safety valve
4	1	2026.0201	Verschlußkegel Sicherheitsventil	Cone for safety valve
5	1	5012.0527	Dichtung für Sicherheitsventilgehäuse	Gasket for safety valve housing
6	1	2064.0100	Einfüllstutzen Typ 6/101	Safety valve housing
7	1	1008.0764	Sechskantschraube M8x110 f.Griffscheibe	Hex screw M8x110 for safety valve
8	1	2067.0203	Dampfschlauch NW42 200mm lang	Steam hose 200mm long
9	4	2066.0504	Schlauchschele 40-60mm	Hose clamp 40-60mm
10	1	2067.0201	Dampfschlauch NW42 60 mm lang	Steam-hose 60mm long
11	1	3002.0401	Füllstandselektrode 70mm	Filling-level electrode 70mm
12	1	5012.0537	Dichtung für Füllstandselektrode	Gasket for filling-level elektrode
13	1	2067.0162	Silikonschlauch 1370mm lang	Silicone hose 1370mm long
14	1	2066.0205	Schlauchschele 12-18mm	Hose clamp 12-18mm
15	5	1106.0801	Sechskant-Combi-Mutter M6	Hex combination nut M6
16	1	3014.0300	Trockengehschutz 125°C	Dry up protector 125°C
17	2	2544.101230	Klemmblech Dampfgenerator	Clamping plate thermostat steam generator
18	1	2520.311089	Halterung für Trockengehschutz	Holder for dry up protector
19	1	3014.0314	Thermostat Dampfgenerator, 60°-180° C	Thermostat preheating steam generator
20	1	3004.4155	Tauchheizkörper 2x3kW 230V mit Fühlerrohr	Heating element 2x3kW 230V with sensor pipe
21	1	3004.4306	Tauchheizkörper 2x1,5kW 230V	Heating element 2x1,5KW 230V
22	1	3014.0165	Thermoelement Dampfgenerator	Thermo element steam generator

Dampfgenerator	Spannung	Baugruppe	Ausgabe	gültig ab Seriennummer
Steam generator	Voltage	Group	Edition	Applicable from Serial.No.
	3 N AC 400V 50Hz	4	4.1.4	00696011001



Pos.	St.	Ersatz.Nr.	Bezeichnung	Description
Pos.	Pcs.	Sp. Part No.		
-	1	8300.0086	SC-Dampfgenerator kpl.	SC-steam generator cpl.
-	1	8404.4000	Sicherheitsventil kpl.	Safety valve complete
1	1	2049.0800	Alu-Deckschild für Sicherheitsventil	Cover plate aluminum for safety valve
2	1	2020.0301	Griffscheibe Sicherheitsventil	Plastic-handle for safety-valve
3	1	5012.0526	Dichtung für Sicherheitsventil	Gasket for safety valve
4	1	2026.0201	Verschlußkegel Sicherheitsventil	Cone for safety valve
5	1	5012.0527	Dichtung für Sicherheitsventilgehäuse	Gasket for safety valve housing
6	1	2064.0100	Einfüllstutzen Typ 6/101	Safety valve housing
7	1	1008.0764	Sechskantschraube M8x110 f.Griffscheibe	Hex screw M8x110 for safety valve
8	1	2067.0203	Dampfschlauch NW42 200mm lang	Steam hose 200mm long
9	4	2066.0504	Schlauchschele 40-60mm	Hose clamp 40-60mm
10	1	2067.0201	Dampfschlauch NW42 60 mm lang	Steam-hose 60mm long
11	1	3002.0401	Füllstandselektrode 70mm	Filling-level electrode 70mm
12	1	5012.0537	Dichtung für Füllstandselektrode	Gasket for filling-level elektrode
13	1	2067.0162	Silikonschlauch 1370mm lang	Silicone hose 1370mm long
14	1	2066.0205	Schlauchschele 12-18mm	Hose clamp 12-18mm
15	5	1106.0801	Sechskant-Combi-Mutter M6	Hex combination nut M6
16	1	3014.0300	Trockengehschutz 125°C	Dry up protector 125°C
17	2	2544.101230	Klemmblech Dampfgenerator	Clamping plate thermostat steam generator
18	1	2520.311089	Halterung für Trockengehschutz	Holder for dry up protector
19	1	3014.0314	Thermostat Dampfgenerator, 60°-180° C	Thermostat preheating steam generator
20	1	3004.4155	Tauchheizkörper 2x3kW 230V mit Fühlerrohr	Heating element 2x3kW 230V with sensor pipe
21	1	3004.4306	Tauchheizkörper 2x1,5kW 230V	Heating element 2x1,5KW 230V
22	1	3014.0165	Thermoelement Dampfgenerator	Thermo element steam generator